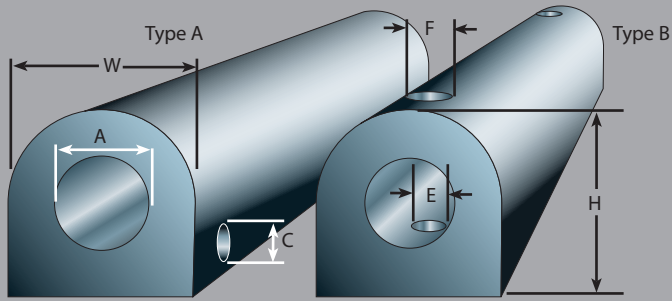


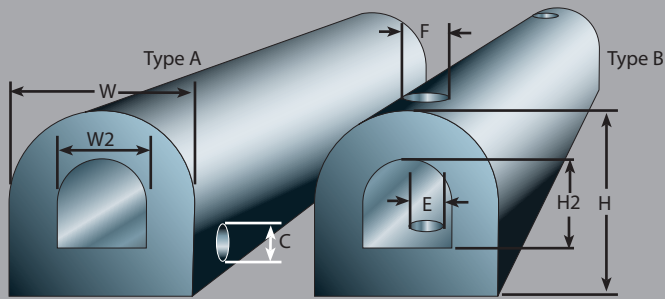


Schuyler Companies - South
 1036 Vicky Ln.
 Broussard, La. 70518 USA
 P: (337) 321-4275
 F: (337) 321-4276
 Toll Free: 1.866.3479445

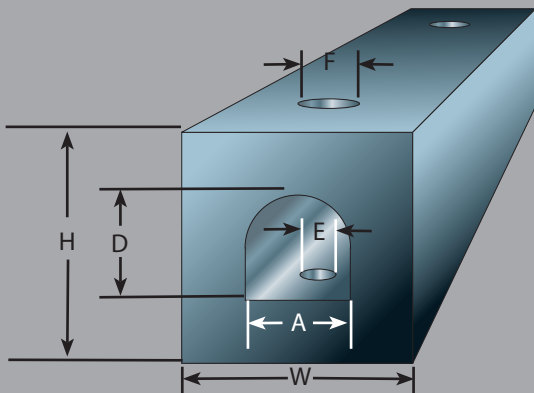
Schuyler Companies - Northwest
 16901 Wood-Red Rd.
 Woodinville, WA. 98072
 P: 800-426-3917
 F: 425-488-2424
 Toll Free: 1.800.426.3917



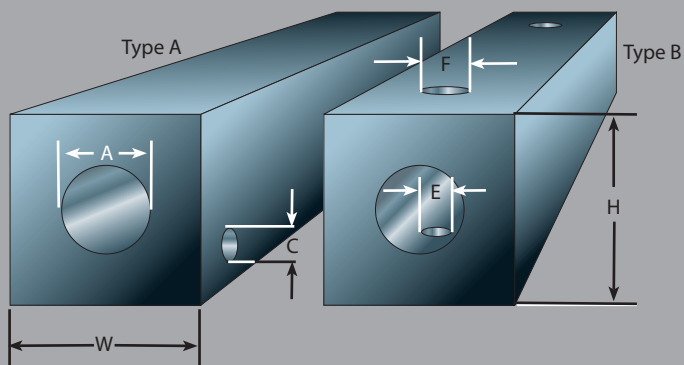
MDD Fenders								
all dimensions are in inches								
H	6	8	10	12	14	16	20	24
W	6	8	10	12	14	16	20	24
C/E (ø)	1 1/16	1 3/16	1 5/16	1 7/16	1 9/16	1 3/4	1 15/16	2 3/16
F (ø)	2 3/8	2 9/16	2 15/16	3 1/8	3 3/8	3 3/4	4 1/8	4 1/2
Bolt Size	W 7/8	W1	W1 1/8	W1 1/4	W 1 3/8	W1 1/2	W1 3/4	W2
all dimensions are in millimeters								
H	150	200	250	300	350	400	500	600
W	150	200	250	300	350	400	500	600
C/E (ø)	27	30	33	36	40	45	50	55
F (ø)	60	65	75	80	85	95	105	115
Bolt Size	22	25	29	32	35	38	44	50



MDD Fenders								
all dimensions are in inches								
H	6	8	10	12	14	16	20	24
W	6	8	10	12	14	16	20	24
C/E (ø)	1 1/16	1 3/16	1 5/16	1 7/16	1 9/16	1 3/4	1 15/16	2 3/16
F (ø)	2 3/8	2 9/16	2 15/16	3 1/8	3 3/8	3 3/4	4 1/8	4 1/2
Bolt Size	W 7/8	W1	W1 1/8	W1 1/4	W 1 3/8	W1 1/2	W1 3/4	W2
all dimensions are in millimeters								
H	150	200	250	300	350	400	500	600
W	150	200	250	300	350	400	500	600
C/E (ø)	27	30	33	36	40	45	50	55
F (ø)	60	65	75	80	85	95	105	115
Bolt Size	22	25	29	32	35	38	44	50



MSD Fenders								
all dimensions are in inches								
H	4	6	8	10	12	16	20	
W	4	6	8	10	12	16	20	
A	2	3	4	5	6	8	10	
D	2	3	4	5	6	8	10	
E (ø)	9/16	13/16	1	1 3/16	1 3/16	1 3/8	1 3/4	
F (ø)	1 3/16	1 9/16	1 15/16	2 3/8	2 3/8	2 15/16	3 9/16	
Bolt Size	1/2	5/8	13/16	1	1	1 1/4	1 1/2	
all dimensions are in millimeters								
H	100	150	200	250	300	400	500	
W	100	150	200	250	300	400	500	
A	50	75	100	125	150	200	250	
D	50	75	100	125	150	200	250	
E (ø)	15	20	25	30	30	35	45	
F (ø)	30	40	50	60	60	75	90	
Bolt Size	M12	M16	M20	M24	M24	M30	M36	



MSO Fenders								
all dimensions are in inches								
H	6	8	10	12	14	16	20	24
W	6	8	10	12	14	16	20	24
A (ø)	3	4	5	6	7	8	10	12
C/E (ø)	1 1/16	1 3/16	1 5/16	1 7/16	1 9/16	1 3/4	1 15/16	2 3/16
F (ø)	2 3/8	2 9/16	2 15/16	3 1/8	3 3/8	3 3/4	4 1/8	4 1/2
Bolt Size	W 7/8	W1	W1 1/8	W1 1/4	W 1 3/8	W1 1/2	W1 3/4	W2
all dimensions are in millimeters								
H	150	200	250	300	350	400	500	600
W	150	200	250	300	350	400	500	600
A (ø)	75	100	125	150	175	200	250	300
C/E (ø)	27	30	33	36	40	45	50	55
F (ø)	60	65	75	80	85	95	105	115
Bolt Size	22	25	29	32	35	38	44	50



EXTRUDED FENDERS

Schuyler Companies manufactures high quality rubber fenders for ships and vessels that are designed to withstand the punishing marine environment. Our factory is set up to provide the fenders you need, cut to length and drilled if necessary, shipped within a few days. Whether you need 5' or 500' we are here to serve you.

- **D-O FENDERS**
- **SQUARE FENDERS**
- **CYLINDRICAL FENDERS**
- **WING FENDERS**
- **NON-MARKING GREY**



www.schuylerrubber.com