

UNIVERSAL MOTION COMPONENTS

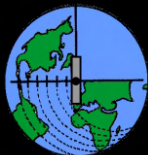


UMC

MARINE DECK HARDWARE

**Manufacturers of Industrial Marine Hardware
and Deck Fitting Components.**

UNIVERSAL MOTION COMPONENTS, Co. Inc.



2920 Airway Ave. Costa Mesa, Ca. 92628-2178
Phone: (714) 437-9600 Fax: (714) 437-9700
E-mail: sales@umcproducts.com Web: <http://www.umcproducts.com>

UNIVERSAL MOTION COMPONENTS

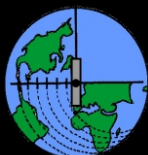
At UMC, we are aware that our customers have choices when selecting a vendor. We believe the values a company holds are an important consideration when doing business.

We will conduct our business with uncompromising integrity, maintain trust and respect for all individuals, and achieve our common objective through teamwork, flexibility and innovation.

UMC is a company that develops and finds technologically capable manufacturing resources to meet virtually any customer's production goals. We take pride in manufacturing parts and components to exacting specifications at the highest quality.



UNIVERSAL MOTION COMPONENTS, Co. Inc.



2920 Airway Ave. Costa Mesa, Ca. 92628-2178
Phone: (714) 437-9600 Fax: (714) 437-9700
E-mail: sales@umcproducts.com Web: <http://www.umcproducts.com>

Universal Motion Components

Hatches

HATCHES - Single bolt, manhole, T-Bolt, flush mount and twist lock style hatches. We offer a variety of standard sized dog handle hatches available in raised or flush mount with bronze or stainless steel hardware.

Hatches

Kevels

KEVELS - A large range of kevels and cleats, from 12" long, weighing 8 pounds, to over 60" long, weighing in just under 400 lbs. Available in flush mount, thru-deck or split chock models. All casting made of ASTM A27 cast steel. Custom sizes available by request.

Kevels

Bits

BITTS - A large variety of sizes and styles. Single or double bitts available in flush mount or thru-deck styles, also available with or without horns. Sizes include our 8" single bitt, weighing 130 pounds, to our 12" double bitt, weighing just under 1000 Pounds. All models made of ASTM A27 cast steel. Custom sizes available by request.

Bits

Chocks, Eyes, & Buttons

CHOCK, BUTTONS & EYES - Fixed buttons and roller buttons with grease fittings from 6" up to 15". Panama chocks, and mooring eyes from 8" x 12" to 12" x 18". Open chocks, closed chocks, and D-Rings from 9" to 14". All models made from ASTM A27 cast steel. Custom sizes available by request.

Chocks, Eyes
& Buttons

Doors

WATER TIGHT DOORS - Doors available in 4-Dog, 6-Dog, and Quick Acting models. Offered in a variety of standard sizes and options. Replacement handles made of steel or aluminum also available. Custom sizes available by request.

Doors



Universal Motion Components

Hatches

Hatches

HATCHES - Single bolt, manhole, T-Bolt, flush mount and twist lock style hatches. We offer a variety of standard sized dog handle hatches available in raised or flush mount with bronze or stainless steel hardware.

Kevels

Kevels

KEVELS - A large range of kevels and cleats, from 12" long, weighing 8 pounds, to over 60" long, weighing in just under 400 lbs. Available in flush mount, thru-deck or split chock models. All casting made of ASTM A27 cast steel. Custom sizes available by request.

Bits

Bits

BITTS - A large variety of sizes and styles. Single or double bitts available in flush mount or thru-deck styles, also available with or without horns. Sizes include our 8" single bitt, weighing 130 pounds, to our 12" double bitt, weighing just under 1000 Pounds. All models made of ASTM A27 cast steel. Custom sizes available by request.

Chocks, Eyes & Buttons

Chocks, Eyes, & Buttons

CHOCK, BUTTONS & EYES - Fixed buttons and roller buttons with grease fittings from 6" up to 15". Panama chocks, and mooring eyes from 8" x 12" to 12" x 18". Open chocks, closed chocks, and D-Rings from 9" to 14". All models made from ASTM A27 cast steel. Custom sizes available by request.

Doors

Doors

WATER TIGHT DOORS - Doors available in 4-Dog, 6-Dog, and Quick Acting models. Offered in a variety of standard sizes and options. Replacement handles made of steel or aluminum also available. Custom sizes available by request.





Universal Motion Components, Co. Inc.

UMC is a leading manufacturer of industrial marine hardware and deck fitting components. Our commitment to quality, testing, and design has helped our products build a great reputation throughout the maritime industry. We back up the quality of our product by standing by each and every piece of hardware that we sell.

At UMC we pride ourselves on working with the customer to provide just in time delivery. Our relationship with our customers is paramount to the way we do business. We can offer you value engineered products with a guarantee of quality, and a working relationship that can't be beat.

Through a detailed engineering process including, computer aided design and computerized testing, we can supply exacting specifications of load tolerances in our Kevels, Chocks and Bitts. Using top quality materials and superior design, we can supply long lasting and durable hatches. Our new line of watertight doors is taking the market by storm as a great alternative to existing products.

We service the following market with our quality Marine Deck Hardware

Commercial: *Serving commercial vessels from cruise liners to transit ferries*

Naval & Maritime: *Working with fleets throughout the world to bring quality products to naval boats and crafts.*

Shipping & Freight: *Serving the shipping industry for freightliners of all sizes.*

Workboat: *Serving the working fleets from tug and tow boats to barges*

Shipbuilding: *Supplying shipbuilders of brown and blue water vessels.*

The sales and engineering staff at UMC is eager to help with any of you marine deck hardware needs. Please give us a call or visit us on the Web to see our new products that are being developed.

Universal Motion Components
2920 Airway Ave
Costa Mesa, Ca. 92626
Phone: 714-437-9600
Fax: 714-437-9700
Sales@umcproducts.com
www.umcproducts.com

Changing the face  of the Earth . . .

2920 Airway Ave, Costa Mesa, Ca. 92626
Tel. 714.437.9600 Fax. 714.437.9700 www.umcproducts.com

Universal Motion Components

Hatches

- All hatches are supplied painted Grey inside & out unless noted.
- All hatches are supplied with solid Nitrile rubber gaskets unless noted.
- All hatches are supplied with bronze tumble bolts and iron dog handles.
- Stainless steel tumble bolts and stainless steel or Bronze dog handles available by request.

Accessories

Part Number	Description	UMC P/N	Weight	Page
UMC-10774	Tumble Bolt, Bronze	01240-201A	1 lbs	N/A
UMC-10774-SS	Tumble Bolt, Stainless Steel	01240-201B	1 lbs	N/A
UMC-39B	Dog Handle, DCI or Steel	01240-302A	1.5 lbs	N/A
UMC-39B-BR	Dog Handle, Bronze	01240-302B	1.5 lbs	N/A
UMC-39B-SS	Dog Handle, Stainless Steel	01240-302C	1.5 lbs	N/A
UMC-39B-ZRK	Dog Handle With Grease Zerk DCI or Steel	01240-312A	1.5 lbs	N/A
UMC-39B-SS-ZRK	Dog Handle With Grease Zerk Stainless Steel	01240-312C	1.5 lbs	N/A

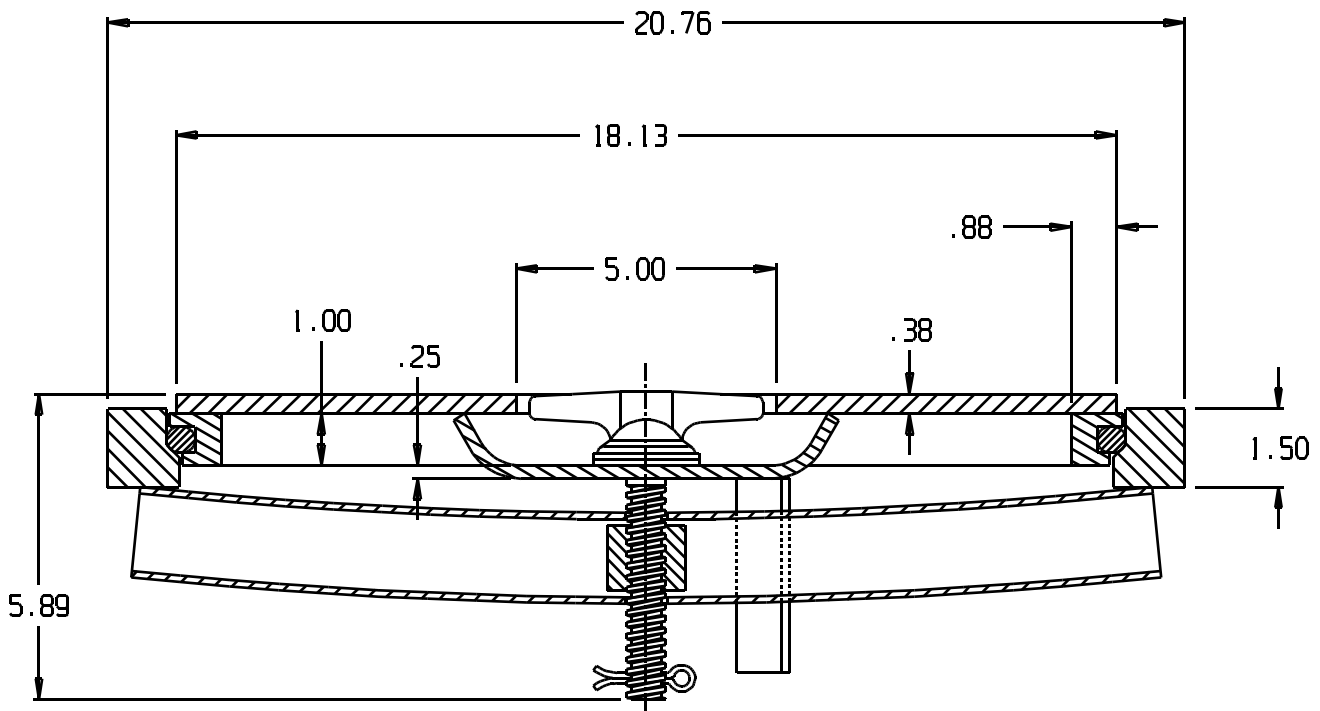
Universal Motion Components

Part Number	Description	UMC P/N	Weight	Page
UMC-430-18	Flush Hatch 18"	01210-101A	81 lbs	Page 8
UMC-430-18A COV	Flush Hatch Cover 18"	04210-101A	49 lbs	Page 9
UMC-430-24	Flush Hatch 24"	01220-101A	120 lbs	Page 10
UMC-430-24 COV	Flush Hatch Cover 24"	01220-102A	78 lbs	Page 11
UMC-301-20	Single Bolt Raised Manhole 20"	08380-101A	70 lbs	Page 12
UMC-301-22	Single Bolt Raised Manhole 22"	08381-101A	75 lbs	Page 13
UMC-504	Flush Hatch 18x24, Thru Bolted ROT	02600-101A	112 lbs	Page 14
UMC-503	Flush Hatch 15x23, Thru Bolted ROT	02590-101A	95 lbs	Page 15
UMC-505	Flush Hatch 15x23, Flush Bolted ROT	02610-101A	160 lbs	Page 16
UMC-501	Raised Hatch 15x23, Thru Bolted ROT	02570-101A	85 lbs	Page 17
UMC-154-18	Raised Clean-Out Hatch 18"	08450-101A	78 lbs	Page 18
UMC-144	Flush Ullage Hatch 8" x 7/8" Screen Sold Separately	01242-102A	21.5 lbs	Page 19
UMC-144-5	Raised Ullage Hatch 8" x 5" Screen Sold Separately	01242-104B	32.8 lbs	Page 20
UMC-6629	Hatch Flame Screen 8"	01242-203A	0.25 lbs	Page 19
UMC-569	Flush Ullage Hatch 10" x 5" Screen Sold Separately	01243-101A	40 lbs	Page 21
UMC-19496	Hatch Flame Screen 10"	01243-202A	0.4 lbs	Page 21
UMC-456-5	3 Dog Hatch 12" ROT	03410-101A	52 lbs	Page 22
UMC-343-5	4 Dog Hatch 19" ROT	01230-101A	92 lbs	Page 23
UMC-274-5	2 Dog Raised Hatch 15x23 ROT	01241-105A	91 lbs	Page 24
UMC-174-5-RC	4 Dog Raised Hatch 15x23 ROT	01240-102A	97 lbs	Page 25
UMC-464-5	4 Dog Raised Hatch 18x24 ROT	03800-101A	106 lbs	Page 26
UMC-464-5 / 144	4 Dog Raised Hatch 18x24 With 8' Ullage Hatch	03800-135K	126 lbs	Page 27
UMC-464-SC	Hatch Flame Screen 18" x 24"	03800-205A	1 lbs	Page 27
UMC-474	Flush Twist Lock Hatch	08640-101A	85 lbs	Page 28
UMC-474-5	Raised Twist Lock Hatch	08641-101A	118 lbs	Page 29

Hatches



Marine Deck Hardware



Subject to change with out notice.

MODEL #	DESCRIPTION	PART #	WEIGHT
UMC-430-18	Flush Hatch 18"	01210-101A	81 lbs
UMC-430-18 Galvanized	Flush Hatch 18" Galvanized	01210-101B	81 lbs

Visit UMC on the WEB @ [Http://www.umcproducts.com](http://www.umcproducts.com)

2920 Airway Avenue
Costa Mesa, Ca. 92626-6013

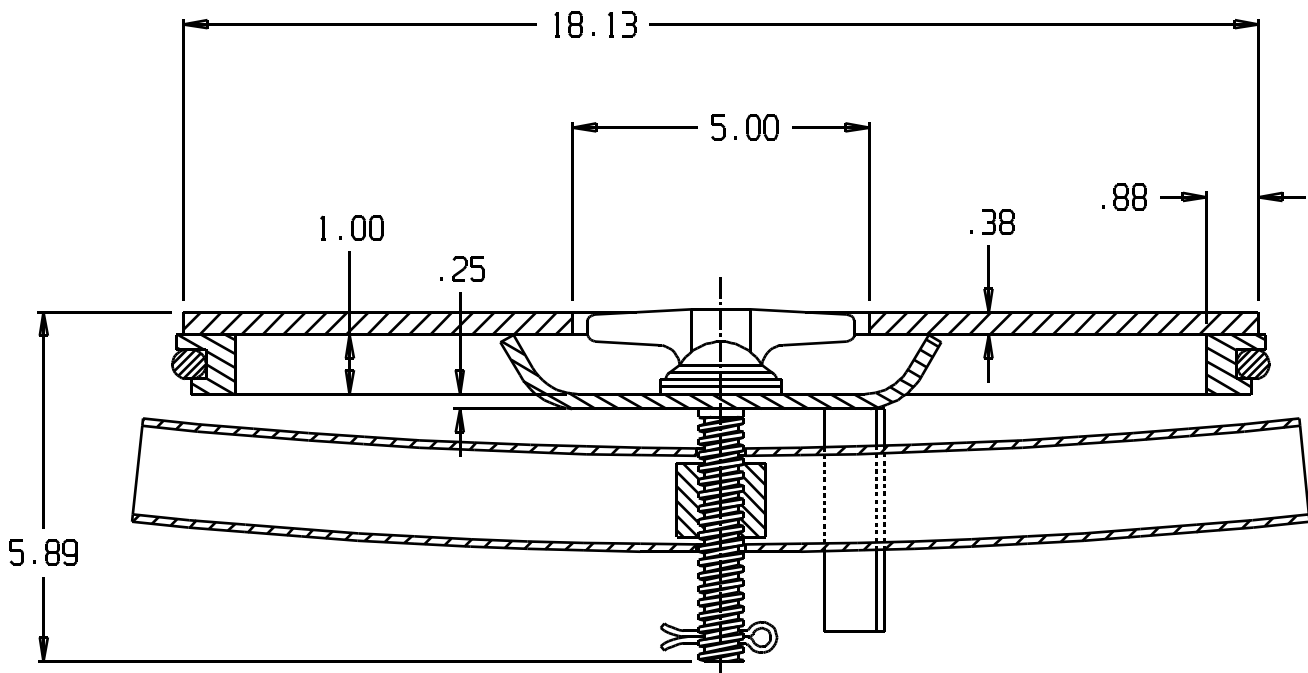


Phone: 714-437-9600
Fax: 714-437-9700



Marine Deck Hardware

Hatches



Subject to change with out notice.

MODEL #	DESCRIPTION	PART #	WEIGHT
UMC-430-18A	Flush Hatch Cover 18"	04210-101A	49 lbs
UMC-430-18A Galvanized	Flush Hatch Cover 18" Galvanized	04210-101B	49 lbs

Visit UMC on the WEB @ [Http://www.umcproducts.com](http://www.umcproducts.com)

2920 Airway Avenue
Costa Mesa, Ca. 92626-6013



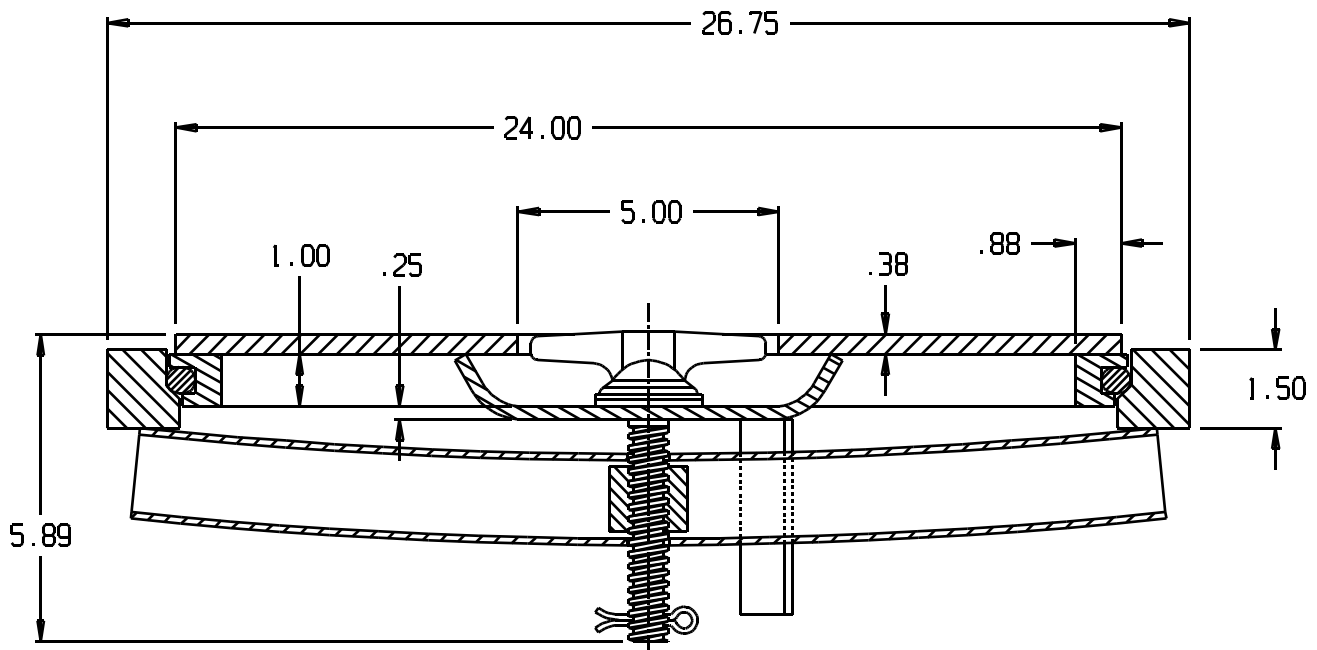
Phone: 714-437-9600
Fax: 714-437-9700

Changing the face of the Earth....

Copyright 2007



Marine Deck Hardware



Subject to change with out notice.

MODEL #	DESCRIPTION	PART #	WEIGHT
UMC-430-24	Flush Hatch 24"	01220-101A	120 lbs

Visit UMC on the WEB @ [Http://www.umcproducts.com](http://www.umcproducts.com)

2920 Airway Avenue
Costa Mesa, Ca. 92626-6013

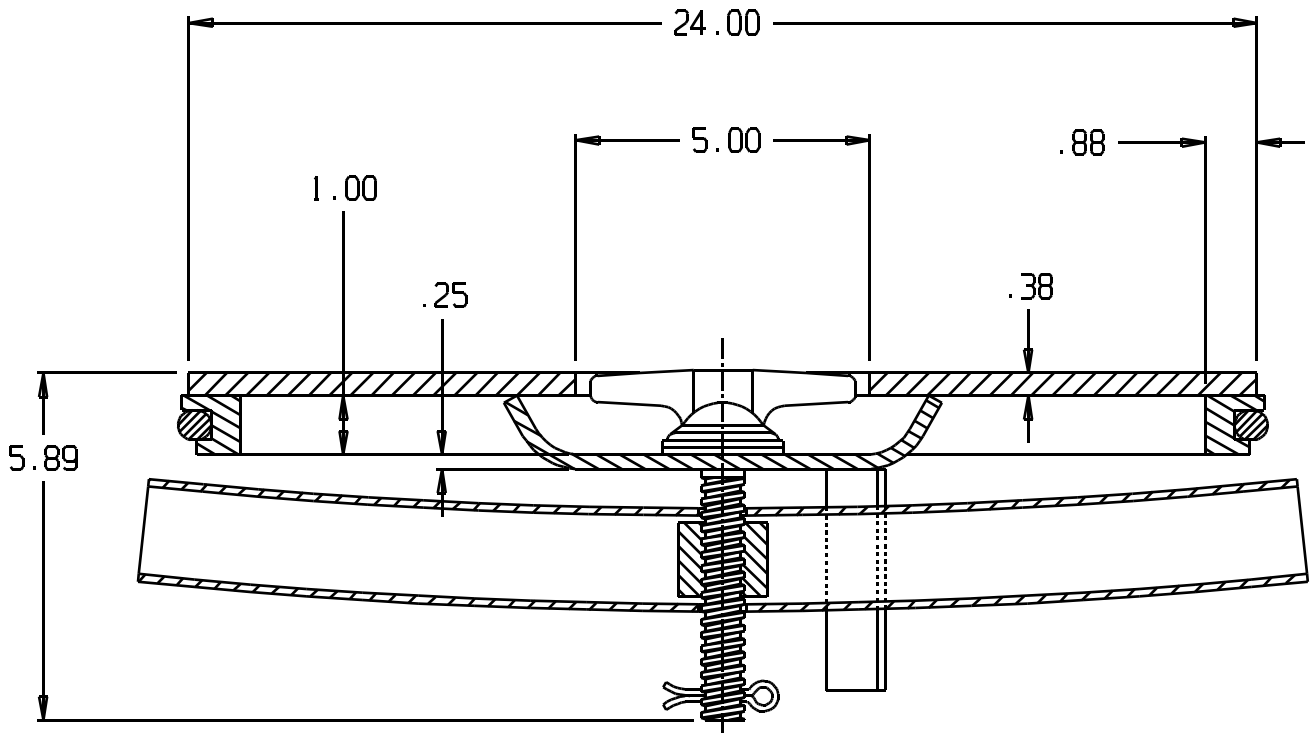


Phone: 714-437-9600
Fax: 714-437-9700



Marine Deck Hardware

Hatches



Subject to change with out notice.

MODEL #	DESCRIPTION	PART #	WEIGHT
UMC-430-18 COV	Flush Hatch Cover 24"	01220-102A	78 lbs

Visit UMC on the WEB @ [Http://www.umcproducts.com](http://www.umcproducts.com)

2920 Airway Avenue
Costa Mesa, Ca. 92626-6013



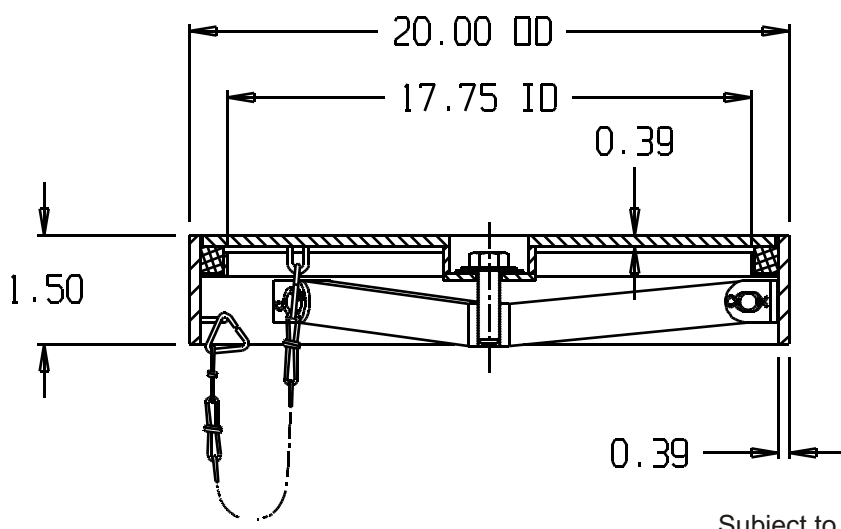
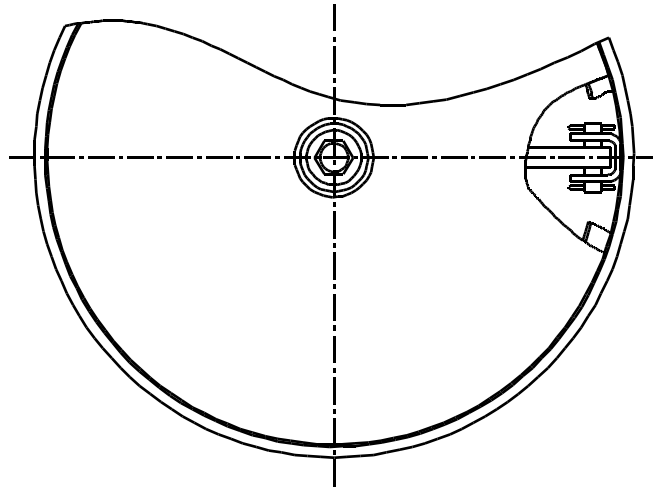
Phone: 714-437-9600
Fax: 714-437-9700

Changing the face of the Earth....

Copyright 2007



Marine Deck Hardware



Subject to change with out notice.

MODEL #	DESCRIPTION	PART #	WEIGHT
UMC-301-20	Single Bolt Raised Manhole 20"	08380-101A	70 lbs

Visit UMC on the WEB @ [Http://www.umcproducts.com](http://www.umcproducts.com)

2920 Airway Avenue
Costa Mesa, Ca. 92626-6013



Phone: 714-437-9600
Fax: 714-437-9700

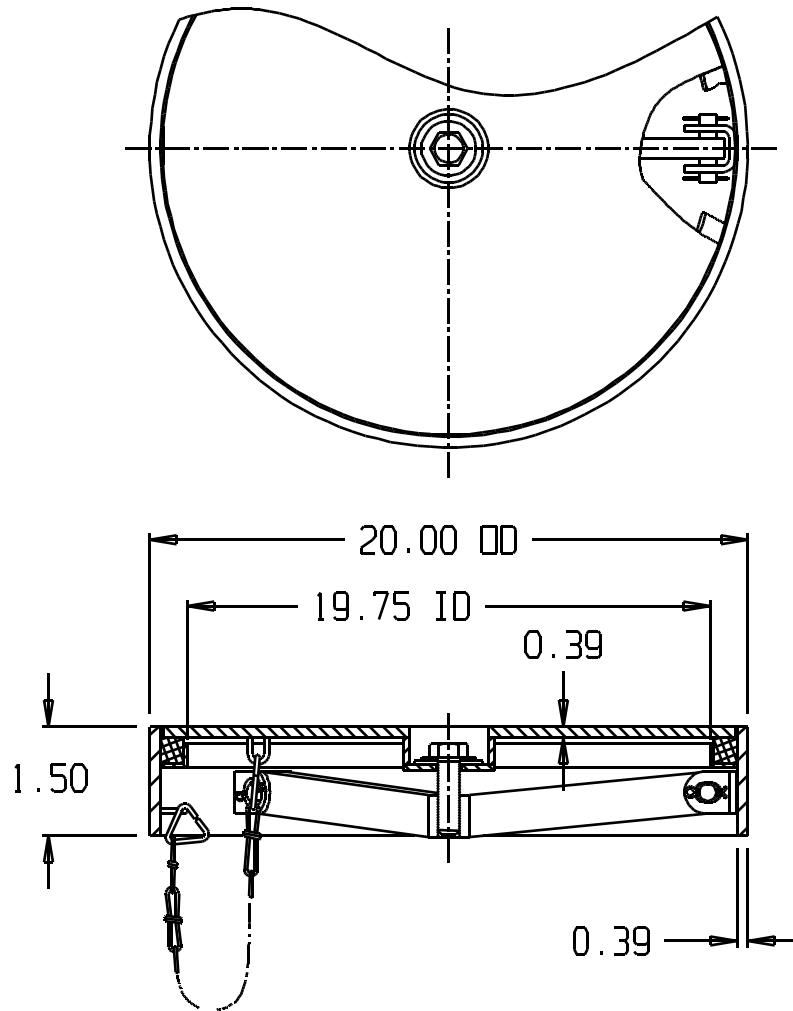
Changing the face of the Earth....

Copyright 2007



Marine Deck Hardware

Hatches



Subject to change with out notice.

MODEL #	DESCRIPTION	PART #	WEIGHT
UMC-301-22	Single Bolt Raised Manhole 22"	08381-101A	75 lbs

Visit UMC on the WEB @ [Http://www.umcproducts.com](http://www.umcproducts.com)

2920 Airway Avenue
Costa Mesa, Ca. 92626-6013



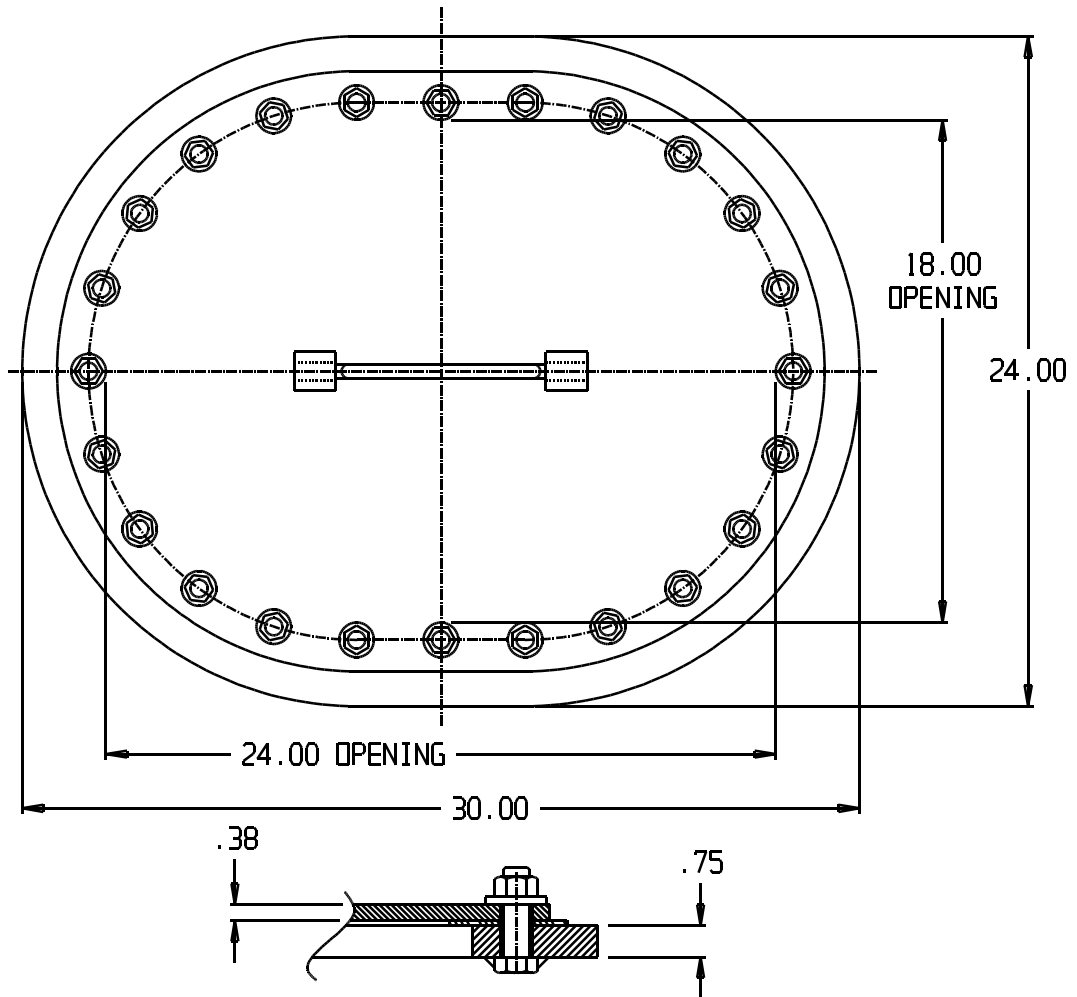
Phone: 714-437-9600
Fax: 714-437-9700

Changing the face of the Earth....

Copyright 2007



Marine Deck Hardware



Subject to change with out notice.

MODEL #	DESCRIPTION	PART #	WEIGHT
UMC-504	Flush Hatch 18x24, Thru Bolted ROT	02600-101A	112 lbs
UMC-504-SS	Also Available in Stainless Steel	N/A	

Visit UMC on the WEB @ [Http://www.umcproducts.com](http://www.umcproducts.com)

2920 Airway Avenue
Costa Mesa, Ca. 92626-6013

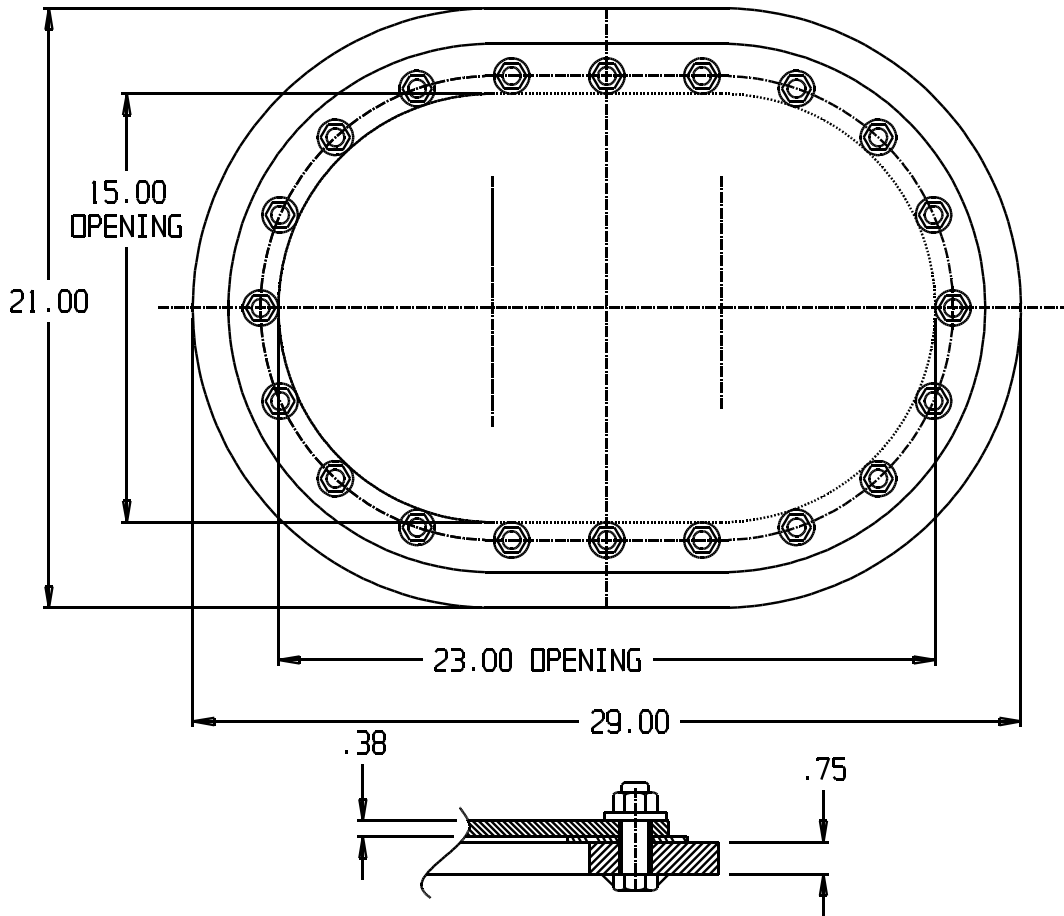


Phone: 714-437-9600
Fax: 714-437-9700



Marine Deck Hardware

Hatches

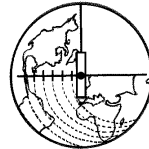


Subject to change with out notice.

MODEL #	DESCRIPTION	PART #	WEIGHT
UMC-503	Flush Hatch 15x23, Thru Bolted ROT	02590-101A	95 lbs
UMC-503-SS	Also Available in Stainless Steel	02590-103S	95 lbs

Visit UMC on the WEB @ [Http://www.umcproducts.com](http://www.umcproducts.com)

2920 Airway Avenue
Costa Mesa, Ca. 92626-6013



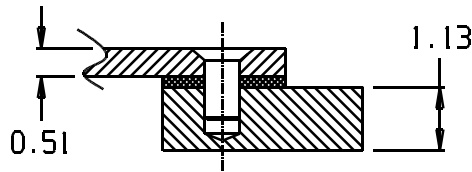
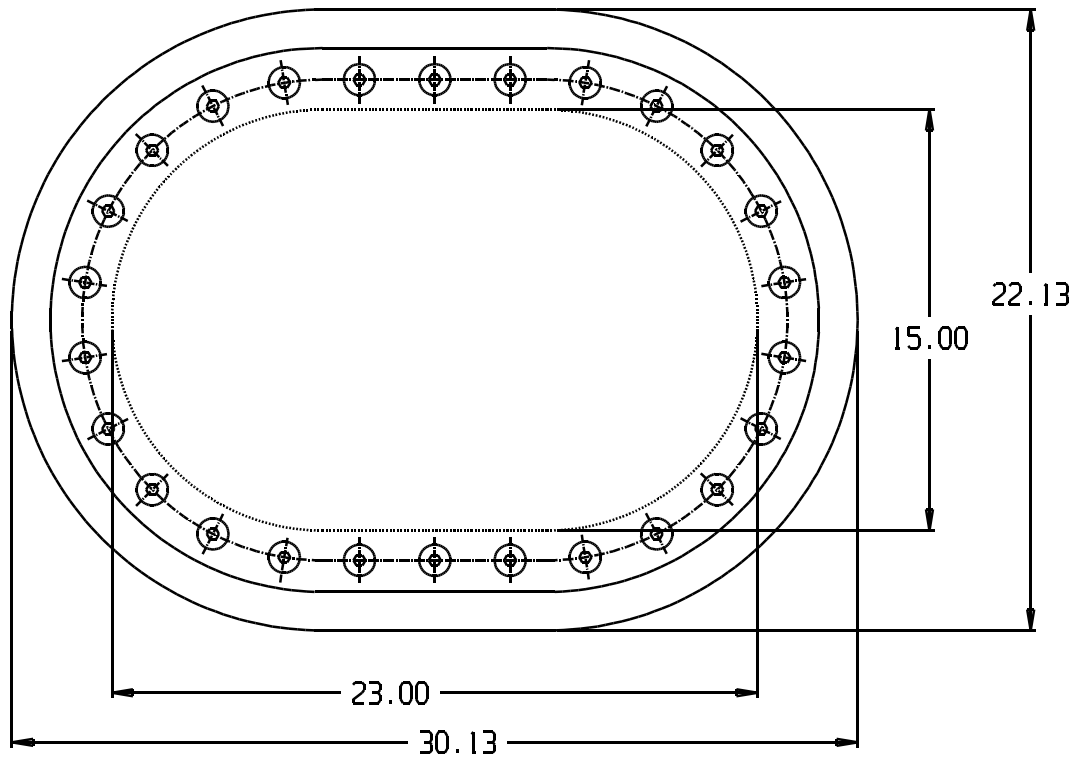
Phone: 714-437-9600
Fax: 714-437-9700

Changing the face of the Earth....

Copyright 2007



Marine Deck Hardware



Subject to change with out notice.

MODEL #	DESCRIPTION	PART #	WEIGHT
UMC-505	Flush Hatch 15x23, Flush Bolted ROT	02610-101A	160 lbs
UMC-505-SS	Also Available in Stainless Steel	N/A	

Visit UMC on the WEB @ [Http://www.umcproducts.com](http://www.umcproducts.com)

2920 Airway Avenue
Costa Mesa, Ca. 92626-6013

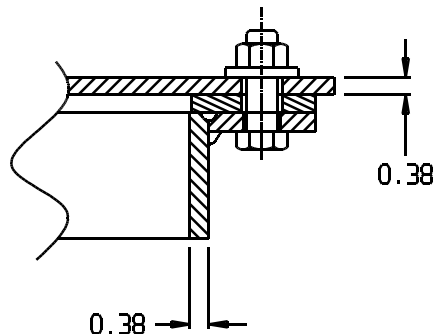
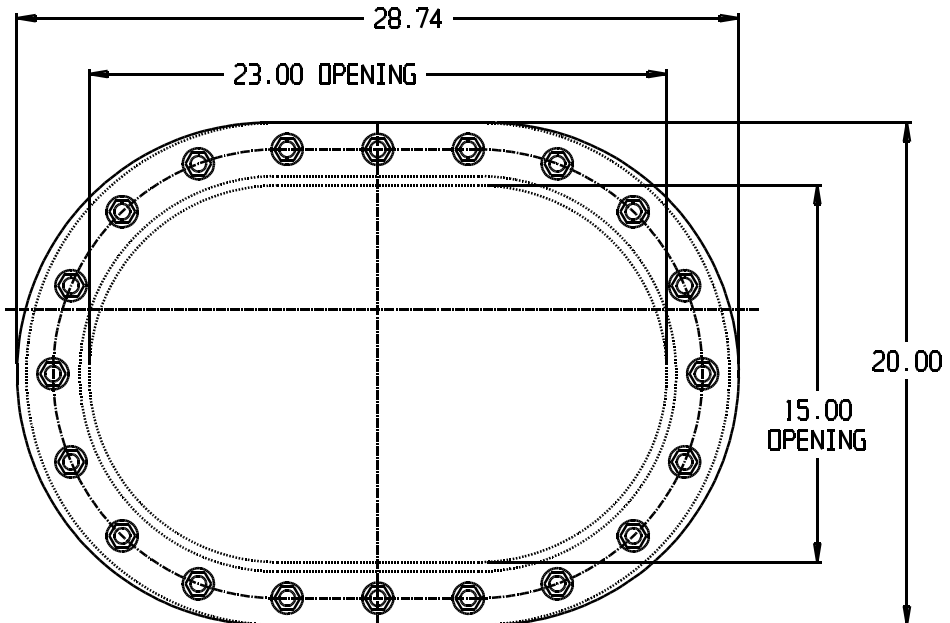


Phone: 714-437-9600
Fax: 714-437-9700



Marine Deck Hardware

Hatches



Subject to change with out notice.

MODEL #	DESCRIPTION	PART #	WEIGHT
UMC-501	Raised Hatch 15x23, Thru Bolted ROT	02570-101A	85 lbs
UMC-501-SS	Also Available in Stainless Steel	02570-101S	85 lbs

Visit UMC on the WEB @ [Http://www.umcproducts.com](http://www.umcproducts.com)

2920 Airway Avenue
Costa Mesa, Ca. 92626-6013



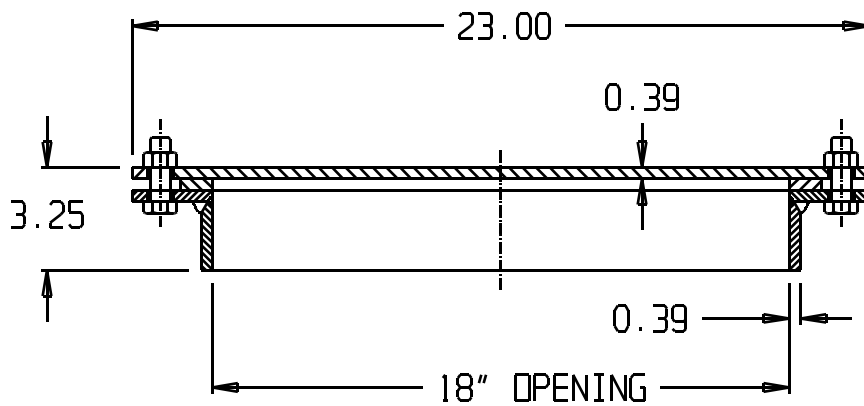
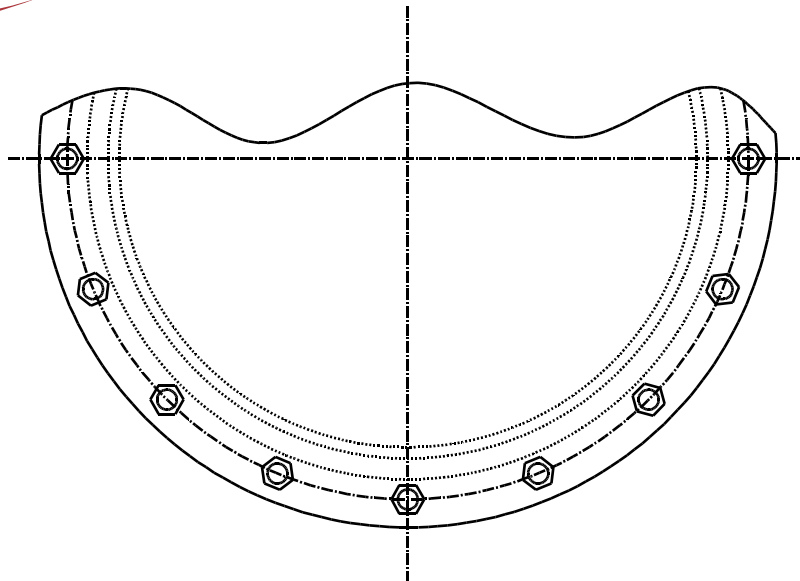
Phone: 714-437-9600
Fax: 714-437-9700

Changing the face of the Earth....

Copyright 2007



Marine Deck Hardware



Subject to change with out notice.

MODEL #	DESCRIPTION	PART #	WEIGHT
UMC-154-18	Raised Clean-Out Hatch 18"	08450-101A	78 lbs

Visit UMC on the WEB @ [Http://www.umcproducts.com](http://www.umcproducts.com)

2920 Airway Avenue
Costa Mesa, Ca. 92626-6013

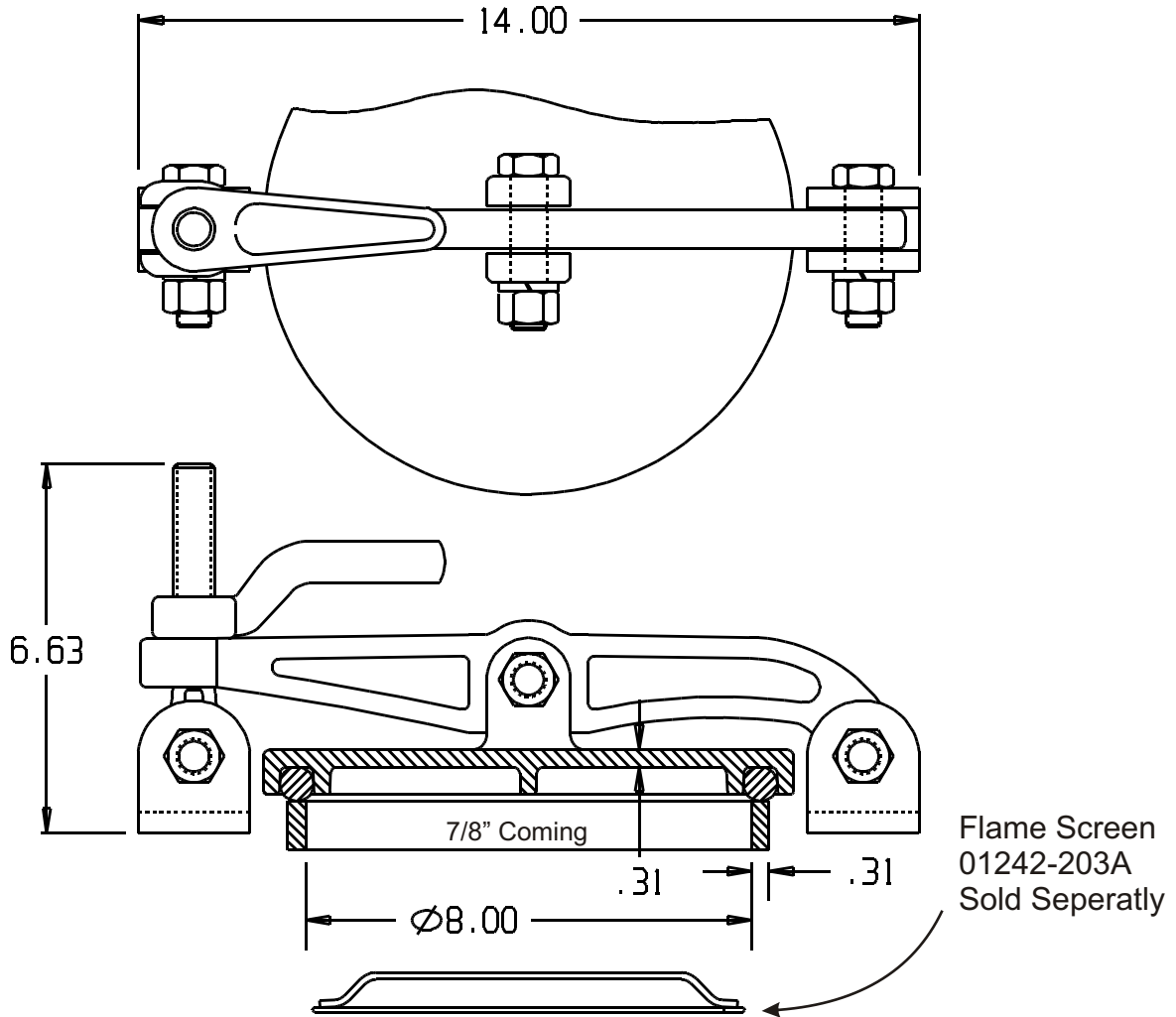


Phone: 714-437-9600
Fax: 714-437-9700



Marine Deck Hardware

Hatches



Subject to change with out notice.

MODEL #	DESCRIPTION	PART #	WEIGHT
UMC-144	Flush Ullage Hatch 8" x 7/8" 7/8" Coaming	01242-102A	21.5 lbs
UMC-144-SS	Also Available in Stainless Steel	01242-102S	21.5 lbs

Visit UMC on the WEB @ [Http://www.umcproducts.com](http://www.umcproducts.com)

2920 Airway Avenue
Costa Mesa, Ca. 92626-6013



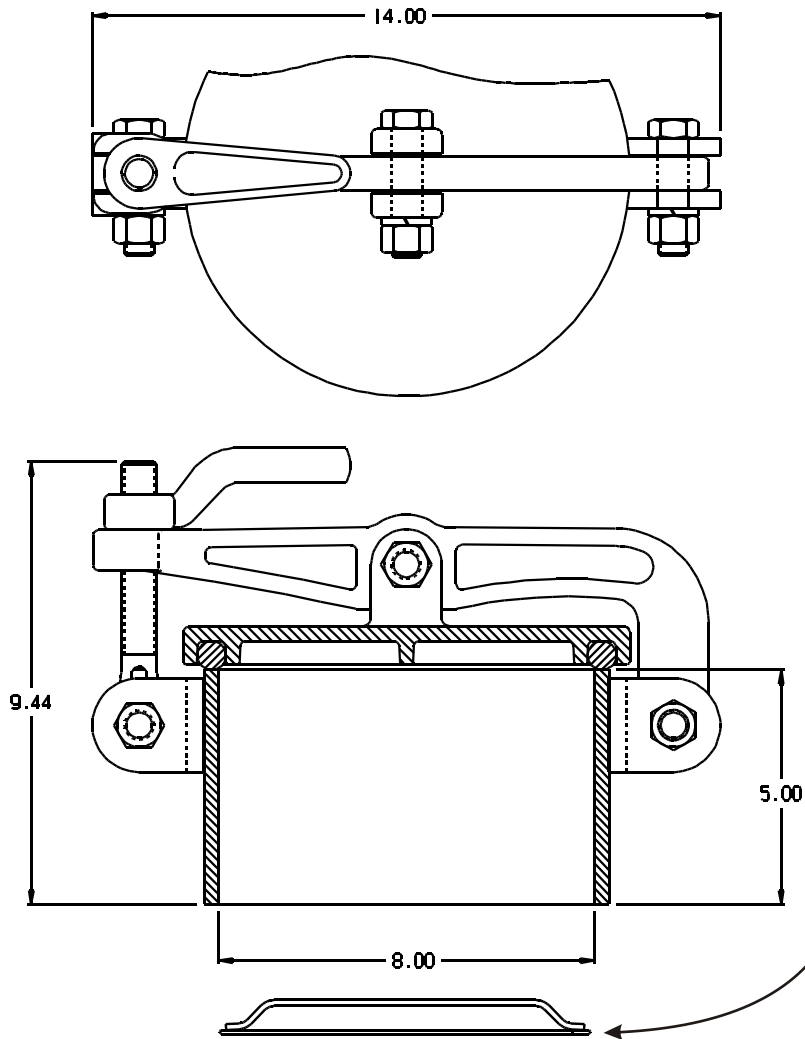
Phone: 714-437-9600
Fax: 714-437-9700

Changing the face of the Earth...

Copyright 2007



Marine Deck Hardware



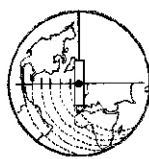
Flame Screen
01242-203A
Sold Separately

Subject to change with out notice.

MODEL #	DESCRIPTION	PART #	WEIGHT
UMC-144-5	Raised Ullage Hatch 8" x 5" 5" Coaming	01242-104B	32.8 lbs
UMC-144-5-SS	Also Available in Stainless Steel	N/A	32.8 lbs

Visit UMC on the WEB @ [Http://www.umcproducts.com](http://www.umcproducts.com)

2920 Airway Avenue
Costa Mesa, Ca. 92626-6013

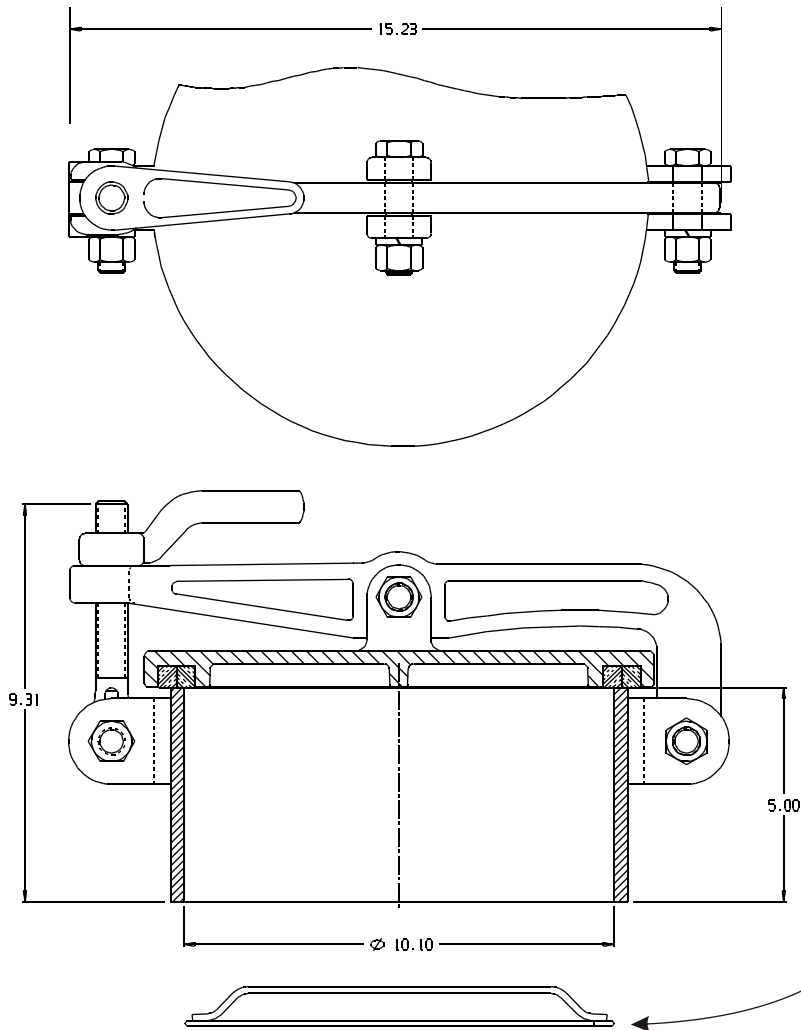


Phone: 714-437-9600
Fax: 714-437-9700



Marine Deck Hardware

Hatches



Subject to change with out notice.

MODEL #	DESCRIPTION	PART #	WEIGHT
UMC-144-5	Raised Ullage Hatch 10" x 5" 5" Coaming	01243-101A	32.8 lbs
UMC-144-5-SS	Also Available in Stainless Steel	01243-101S	32.8 lbs

Visit UMC on the WEB @ [Http://www.umcproducts.com](http://www.umcproducts.com)

2920 Airway Avenue
Costa Mesa, Ca. 92626-6013



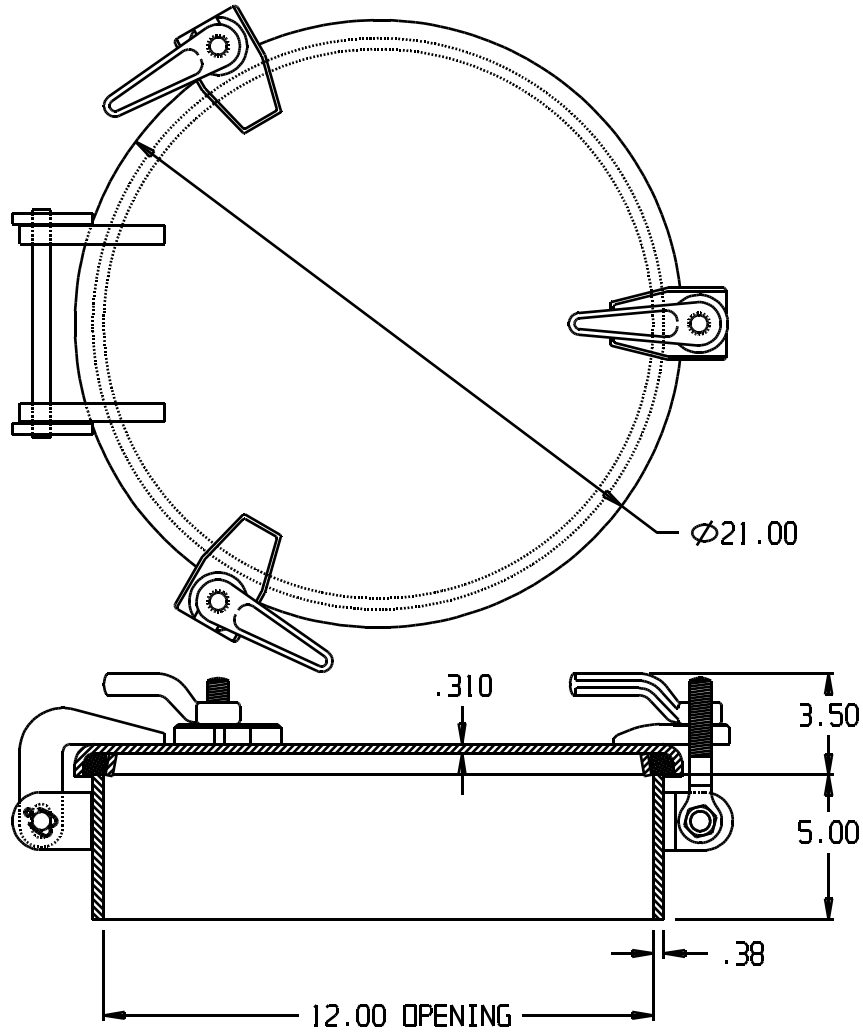
Phone: 714-437-9600
Fax: 714-437-9700

Changing the face of the Earth...

Copyright 2007



Marine Deck Hardware



Subject to change with out notice.

MODEL #	DESCRIPTION	PART #	WEIGHT
UMC 456-5	3 Dog Hatch 12" ROT	03410-101A	52 lbs
UMC 465-5-SS	Also Available in Stainless Steel	N/A	

Visit UMC on the WEB @ [Http://www.umcproducts.com](http://www.umcproducts.com)

2920 Airway Avenue
Costa Mesa, Ca. 92626-6013

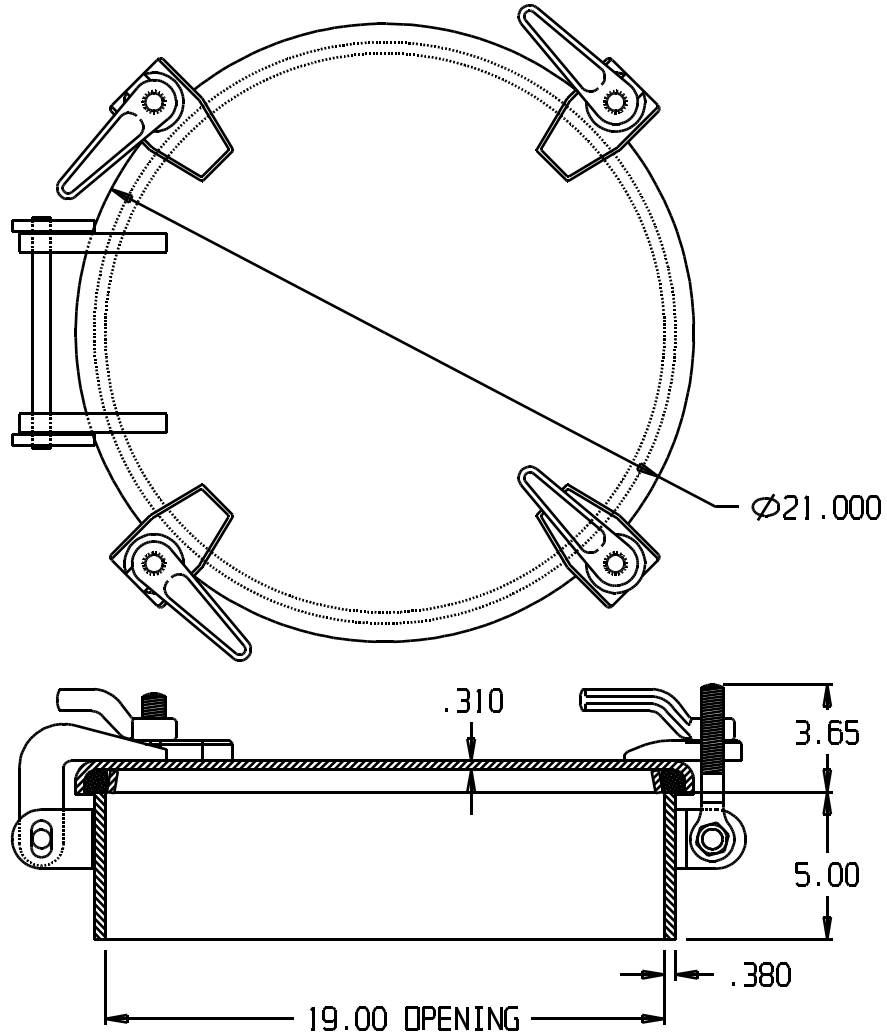


Phone: 714-437-9600
Fax: 714-437-9700



Marine Deck Hardware

Hatches



Subject to change with out notice.

MODEL #	DESCRIPTION	PART #	WEIGHT
UMC-343-5	4 Dog Hatch 19" ROT	01230-101A	92 lbs
UMC-343-5-SS	Also Available in Stainless Steel	01230-101S	92 lbs

Visit UMC on the WEB @ [Http://www.umcproducts.com](http://www.umcproducts.com)

2920 Airway Avenue
Costa Mesa, Ca. 92626-6013



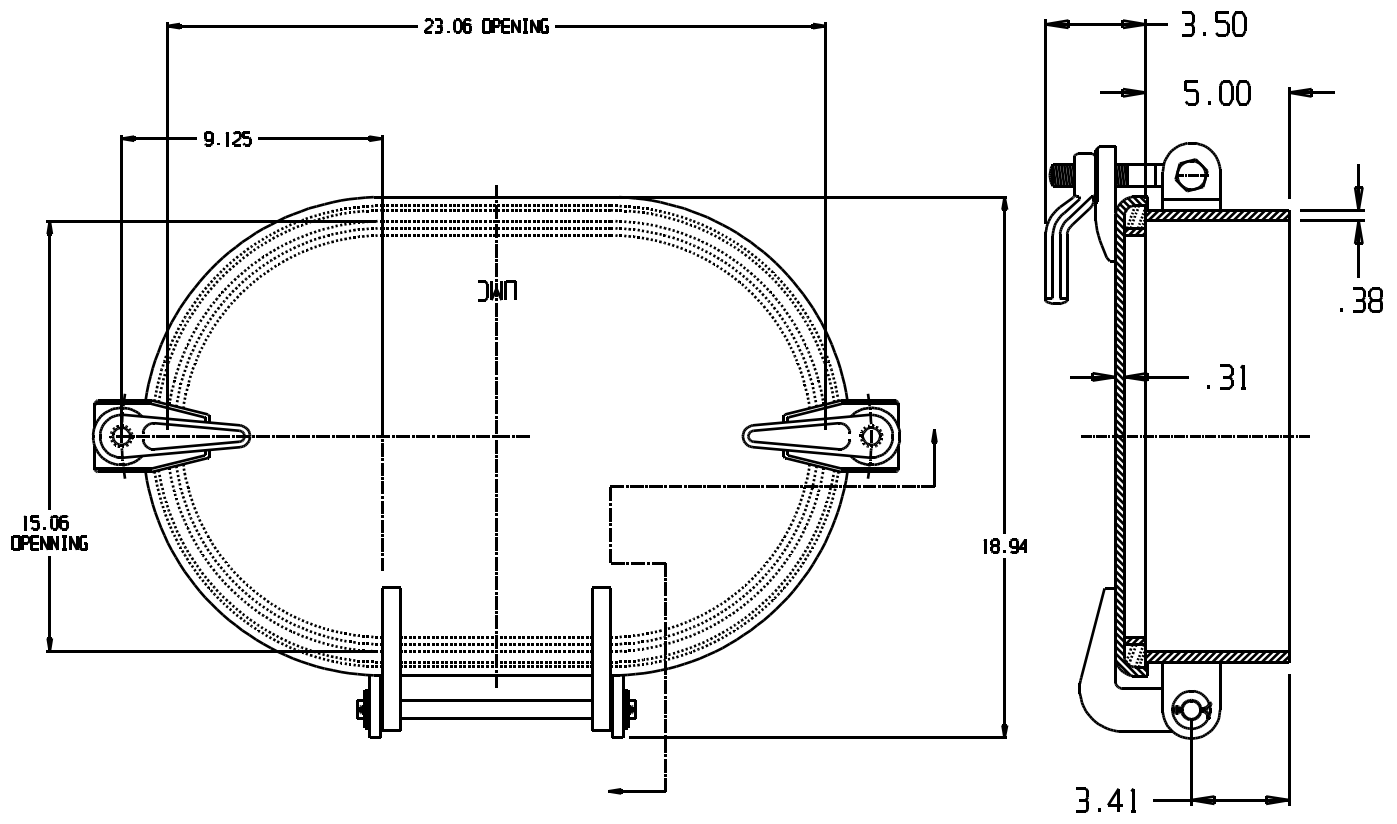
Phone: 714-437-9600
Fax: 714-437-9700

Changing the face of the Earth...

Copyright 2007



Marine Deck Hardware

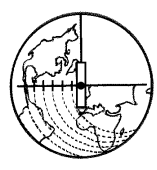


Subject to change with out notice.

MODEL #	DESCRIPTION	PART #	WEIGHT
UMC-274-5	2 Dog Raised Hatch 15x23 ROT	01241-105A	91 lbs
UMC-274-5-SS	Also Available in Stainless Steel	N/A	

Visit UMC on the WEB @ [Http://www.umcproducts.com](http://www.umcproducts.com)

2920 Airway Avenue
Costa Mesa, Ca. 92626-6013



Phone: 714-437-9600
Fax: 714-437-9700

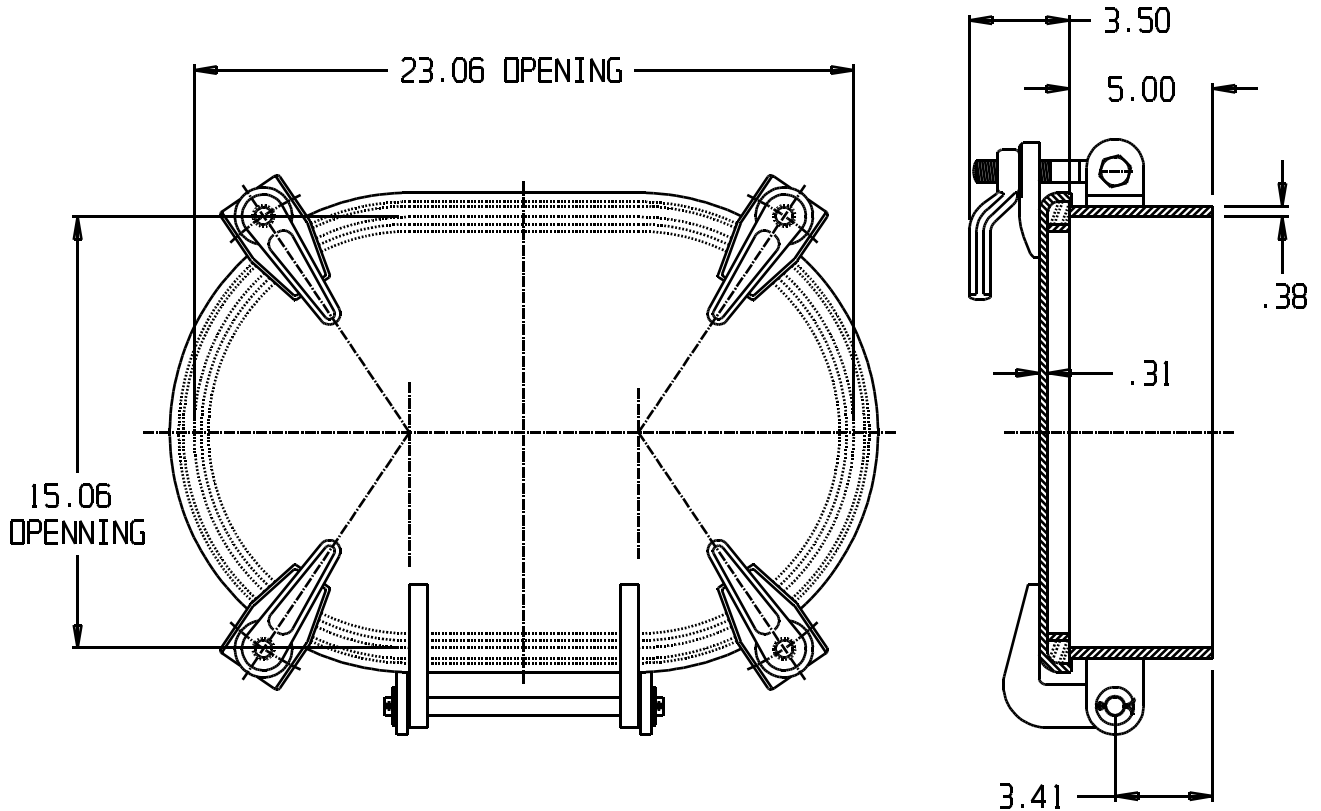
Changing the face of the Earth....

Copyright 2007



Marine Deck Hardware

Hatches



Subject to change with out notice.

MODEL #	DESCRIPTION	PART #	WEIGHT
UMC-174-5-RC	4 Dog Raised Hatch 15x23 ROT	01240-102A	97 lbs
UMC-174-5-SS	Also Available in Stainless Steel	01240-102S	97 lbs

Visit UMC on the WEB @ [Http://www.umcproducts.com](http://www.umcproducts.com)

2920 Airway Avenue
Costa Mesa, Ca. 92626-6013



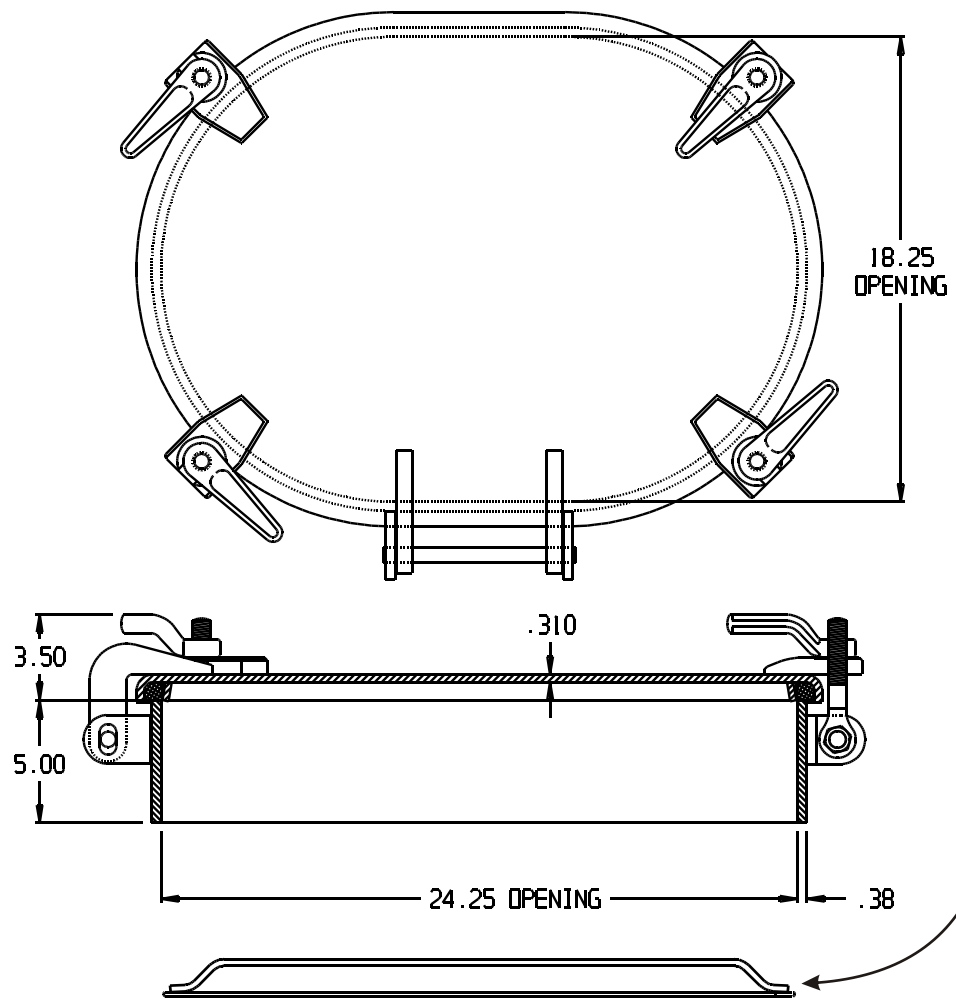
Phone: 714-437-9600
Fax: 714-437-9700

Changing the face of the Earth....

Copyright 2007



Marine Deck Hardware

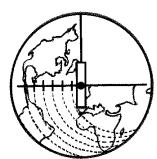


Subject to change with out notice.

MODEL #	DESCRIPTION	PART #	WEIGHT
UMC-464-5	4 Dog Raised Hatch 18x24 ROT	03800-101A	106 lbs
UMC-646-5-SS	Also Available in Stainless Steel	03800-101S	106 lbs

Visit UMC on the WEB @ [Http://www.umcproducts.com](http://www.umcproducts.com)

2920 Airway Avenue
Costa Mesa, Ca. 92626-6013

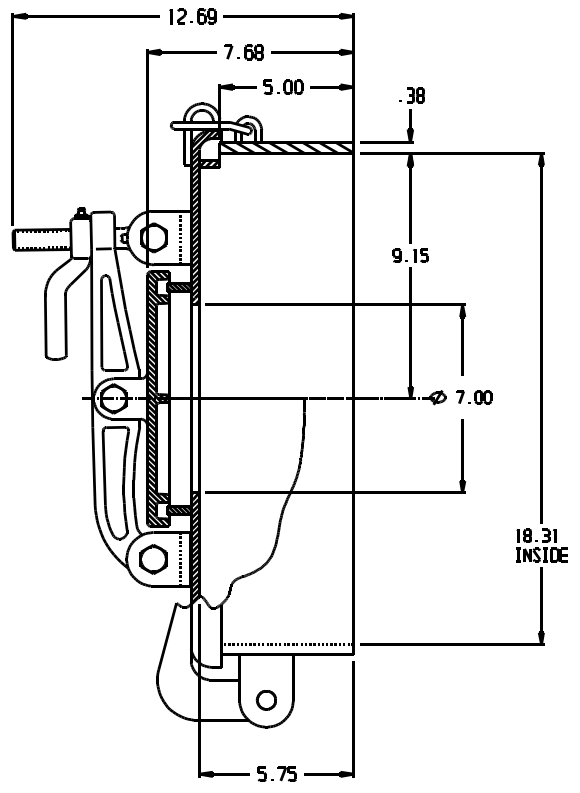
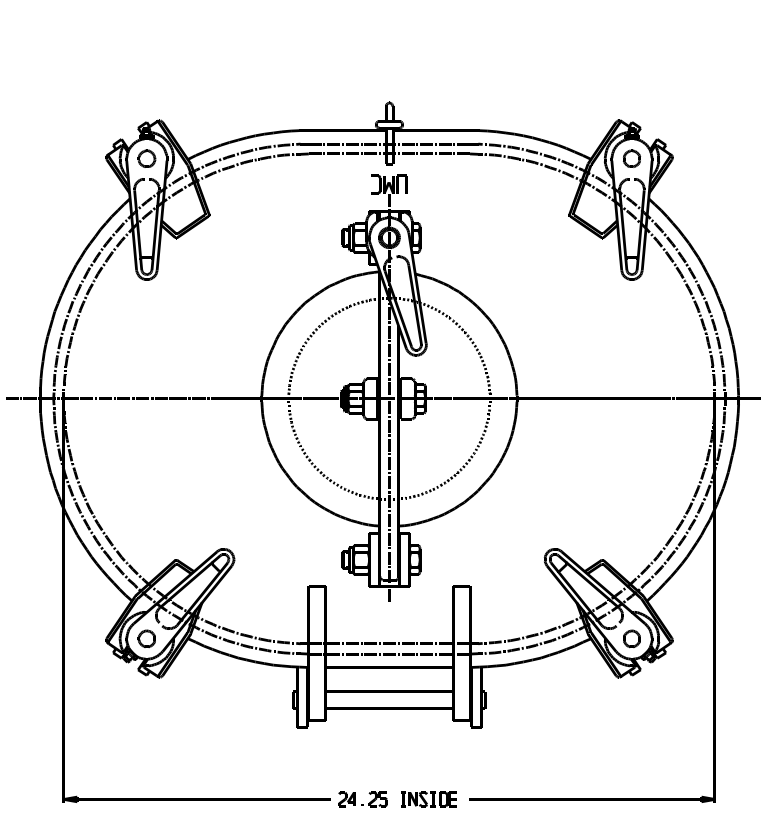


Phone: 714-437-9600
Fax: 714-437-9700



Marine Deck Hardware

Hatches



Subject to change with out notice.

MODEL #	DESCRIPTION	PART #	WEIGHT
UMC-464-5 /144 Ullage	4 Dog Raised Hatch 18x24 With 8" Ullage Hatch	03800-135KA	126 lbs
	Also Available in Stainless Steel	N/A	

Visit UMC on the WEB @ [Http://www.umcproducts.com](http://www.umcproducts.com)

2920 Airway Avenue
Costa Mesa, Ca. 92626-6013



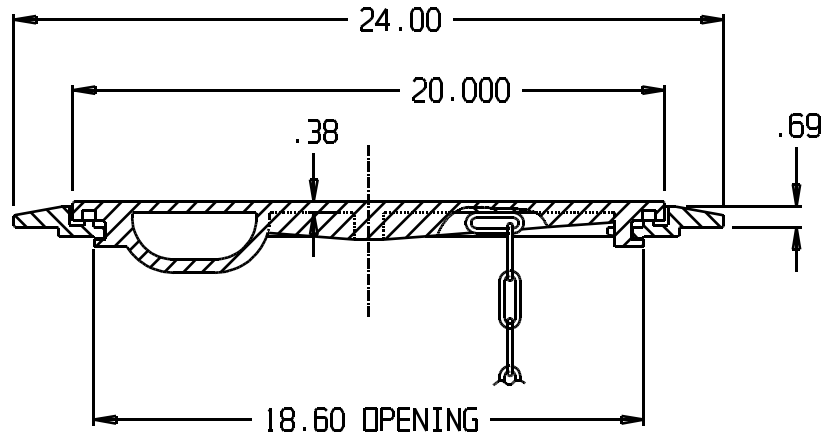
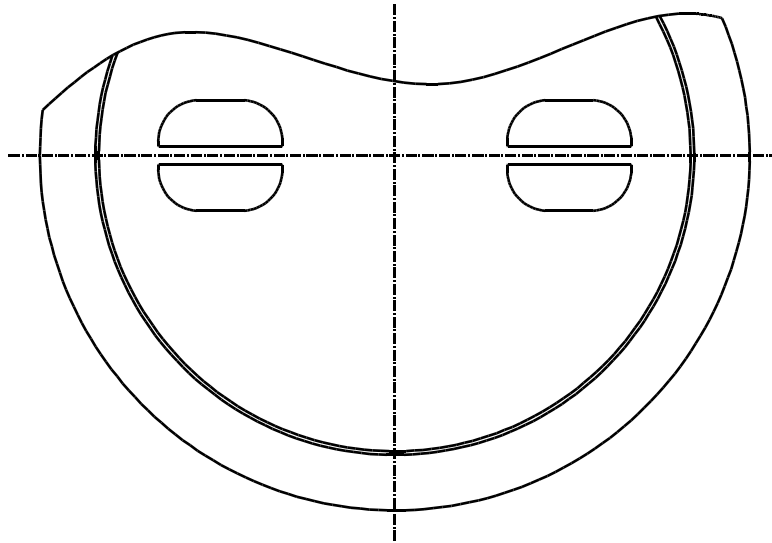
Phone: 714-437-9600
Fax: 714-437-9700

Changing the face of the Earth....

Copyright 2007



Marine Deck Hardware



Subject to change with out notice.

MODEL #	DESCRIPTION	PART #	WEIGHT
UMC-474	Flush Twist Lock Hatch	08640-101A	85 lbs

Visit UMC on the WEB @ [Http://www.umcproducts.com](http://www.umcproducts.com)

2920 Airway Avenue
Costa Mesa, Ca. 92626-6013

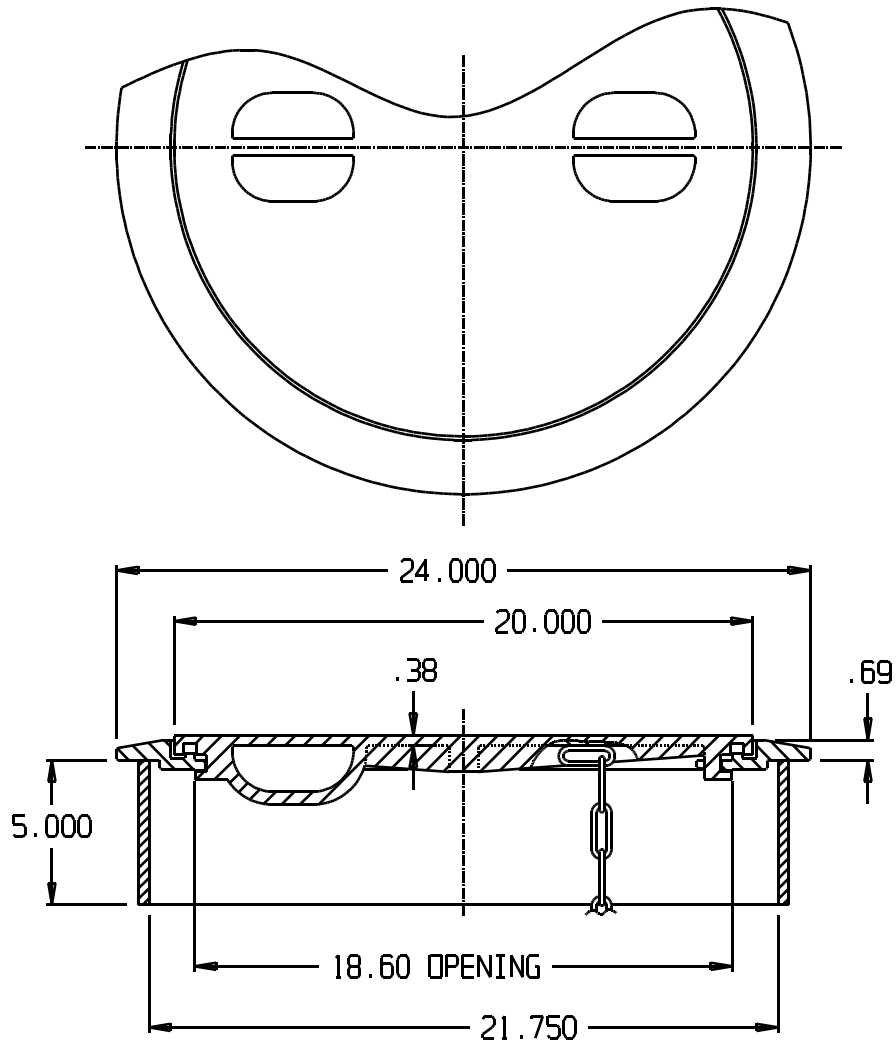


Phone: 714-437-9600
Fax: 714-437-9700



Marine Deck Hardware

Hatches



Subject to change with out notice.

MODEL #	DESCRIPTION	PART #	WEIGHT
UMC-474-5	Raised Twist Lock Hatch	08641-101A	118 lbs

Visit UMC on the WEB @ [Http://www.umcproducts.com](http://www.umcproducts.com)

2920 Airway Avenue
Costa Mesa, Ca. 92626-6013



Phone: 714-437-9600
Fax: 714-437-9700

Changing the face of the Earth....

Copyright 2007

Universal Motion Components

KEVELS

Part Number	Description	UMC P/N	Weight	Page
UMC-K12B	Kevel, 12"	08740-301A	12 lbs	Page 32
UMC-K12A	Cleat, 12" Small Base	08720-301A	7.6 lbs	Page 33
UMC-518	Kevel, 18"	02720-301A	34 lbs	Page 34
UMC-48A	Kevel, 36"	01050-301A	81 lbs	Page 35
UMC-36A	Kevel, 42"	01060-301A	114 lbs	Page 36
UMC-159A	Kevel, 48"	01070-301A	175 lbs	Page 37
UMC-KC60	Kevel 60"	01101-301A	390 lbs	Page 38
UMC-30	Kevel Chock 24"	02990-301A	50 lbs	Page 39
UMC-KC30	Kevel Chock 30"	01081-301A	75 lbs	Page 40
UMC-482	Kevel Chock 36"	01080-301A	98 lbs	Page 41
UMC-483	Kevel Chock 42"	01090-301A	168 lbs	Page 42
UMC-484	Kevel Chock 48"	01100-301A	220 lbs	Page 43

BITTS

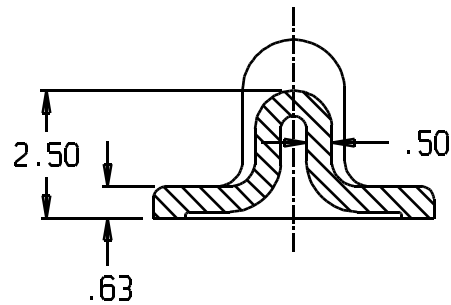
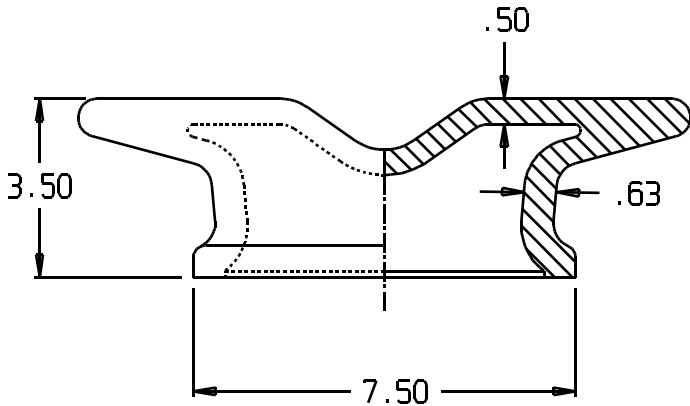
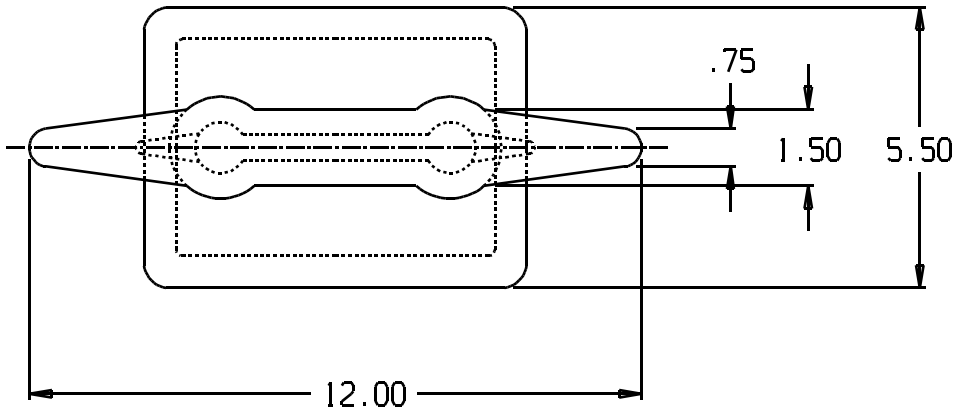
Part Number	Description	UMC P/N	Weight	Page
UMC-2	Double Bitt 8"	01110-301A	320 lbs	Page 44
UMC-2A	Double Bitt 8" With Horns	04200-301A	331 lbs	Page 45
UMC-40	Double Bitt 10"	01120-301A	574 lbs	Page 46
UMC-40A	Double Bitt 10" With Horns	03760-301A	579 lbs	Page 47
UMC-491	Double Bitt 12"	05970-301A	1045 lbs	Page 48
UMC-492	Single Bitt 8" Thru Deck Square Base	03720-301A	370 lbs	Page 49
UMC-530	Single Bitt 8" Thru Deck	08000-301B	260 lbs	Page 50
UMC-SB10	Single Bitt 10"	01140-301A	190 lbs	Page 51
UMC-SB10-T	Single Bitt 10" Thru Deck	01142-301A	293 lbs	Page 52

Material: ASTM A27 cast steel, all castings.



Marine Deck Hardware

Kevels

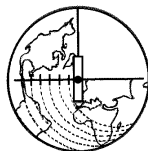


Subject to change with out notice.
Material: ASTM A27 Cast Steel, all castings.

MODEL #	DESCRIPTION	PART #	WEIGHT
UMC-K12B	Kevel, 12"	08740-301A	12 lbs

Visit UMC on the WEB @ [Http://www.umcproducts.com](http://www.umcproducts.com)

2920 Airway Avenue
Costa Mesa, Ca. 92626-6013



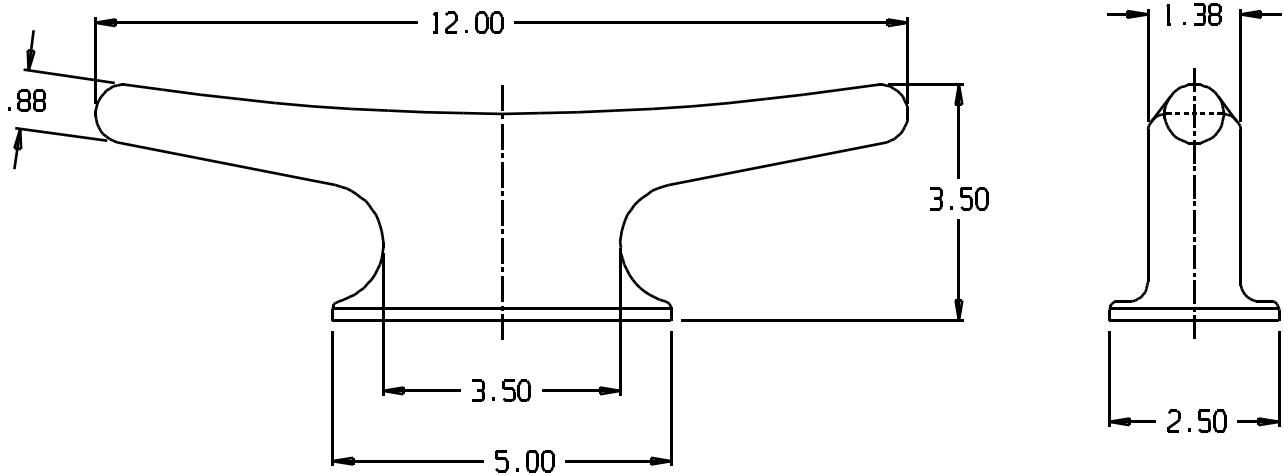
Phone: 714-437-9600
Fax: 714-437-9700

Changing the face of the Earth....

Copyright 2007



Marine Deck Hardware



Subject to change with out notice.
Material: ASTM A27 Cast Steel, all castings.

MODEL #	DESCRIPTION	PART #	WEIGHT
UMC-K12A	Cleat, 12" Small Base	08720-301A	7.6 lbs

Visit UMC on the WEB @ [Http://www.umcproducts.com](http://www.umcproducts.com)

2920 Airway Avenue
Costa Mesa, Ca. 92626-6013



Phone: 714-437-9600
Fax: 714-437-9700

Changing the face of the Earth....

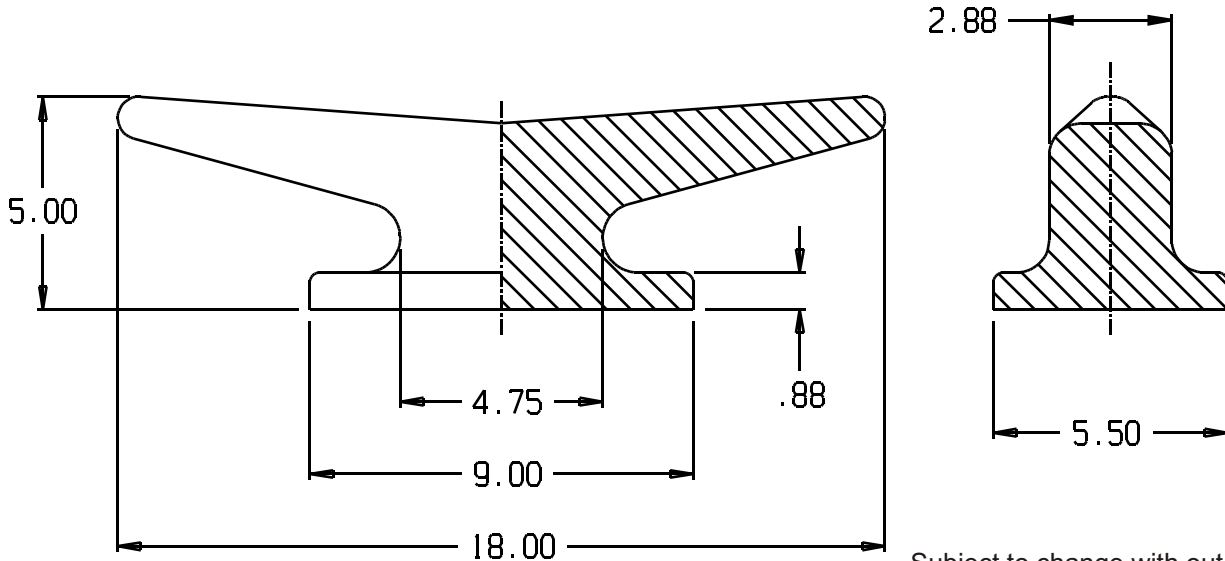
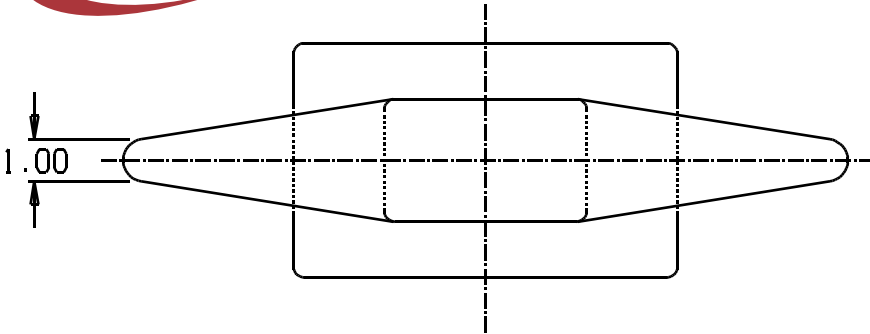
Copyright 2007

Kevels



Marine Deck Hardware

Kevels

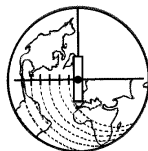


Subject to change with out notice.
Material: ASTM A27 Cast Steel, all castings.

MODEL #	DESCRIPTION	PART #	WEIGHT
UMC-518	Kevel, 18"	02720-301A	34 lbs

Visit UMC on the WEB @ [Http://www.umcproducts.com](http://www.umcproducts.com)

2920 Airway Avenue
Costa Mesa, Ca. 92626-6013



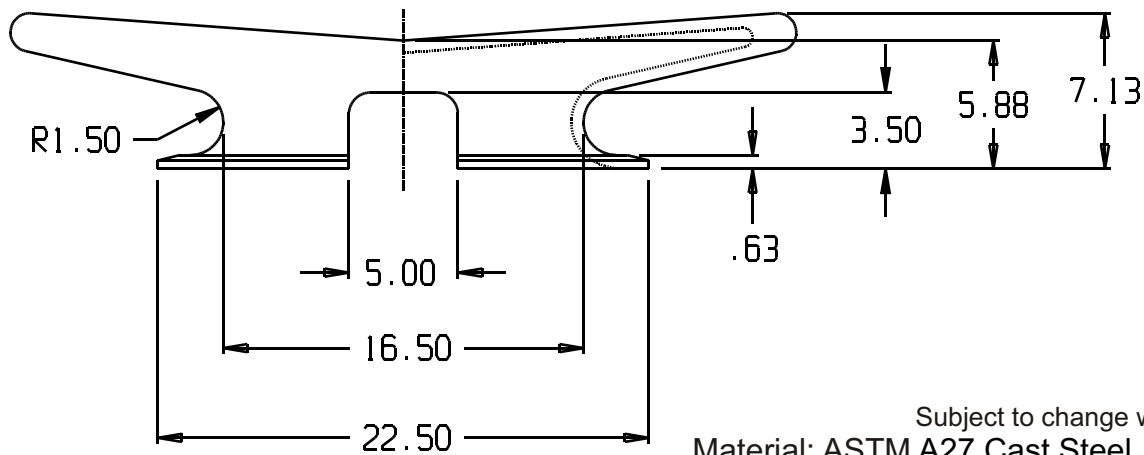
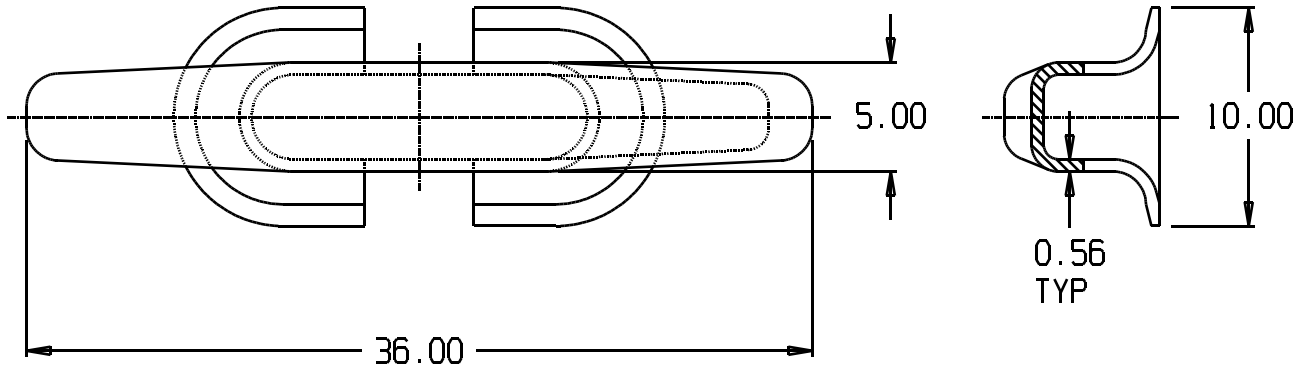
Phone: 714-437-9600
Fax: 714-437-9700

Changing the face of the Earth....

Copyright 2007



Marine Deck Hardware

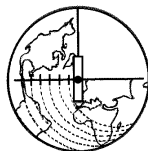


Subject to change with out notice.
Material: ASTM A27 Cast Steel, all castings.

MODEL #	DESCRIPTION	PART #	WEIGHT
UMC-48A	Kevel, 36"	01050-301A	81 lbs

Visit UMC on the WEB @ [Http://www.umcproducts.com](http://www.umcproducts.com)

2920 Airway Avenue
Costa Mesa, Ca. 92626-6013



Phone: 714-437-9600
Fax: 714-437-9700

Changing the face of the Earth....

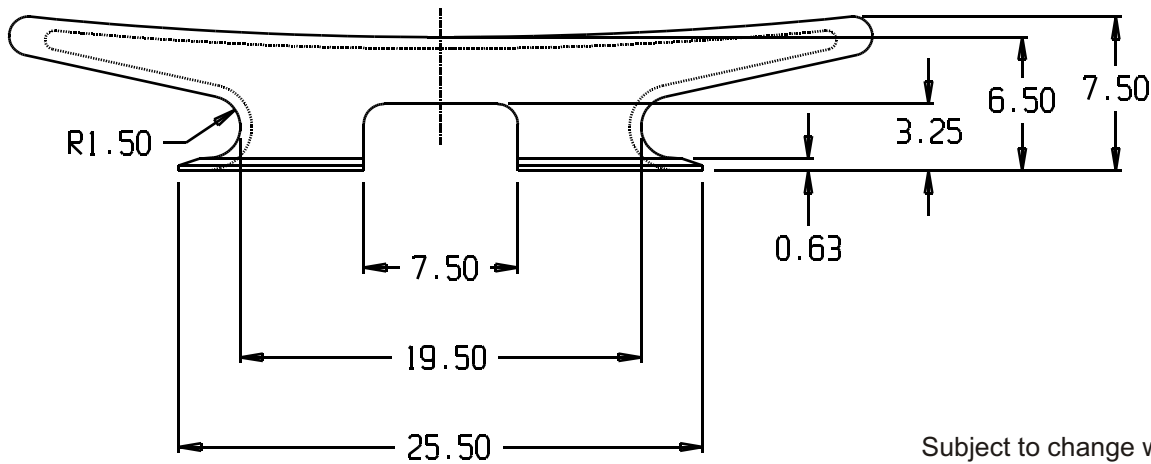
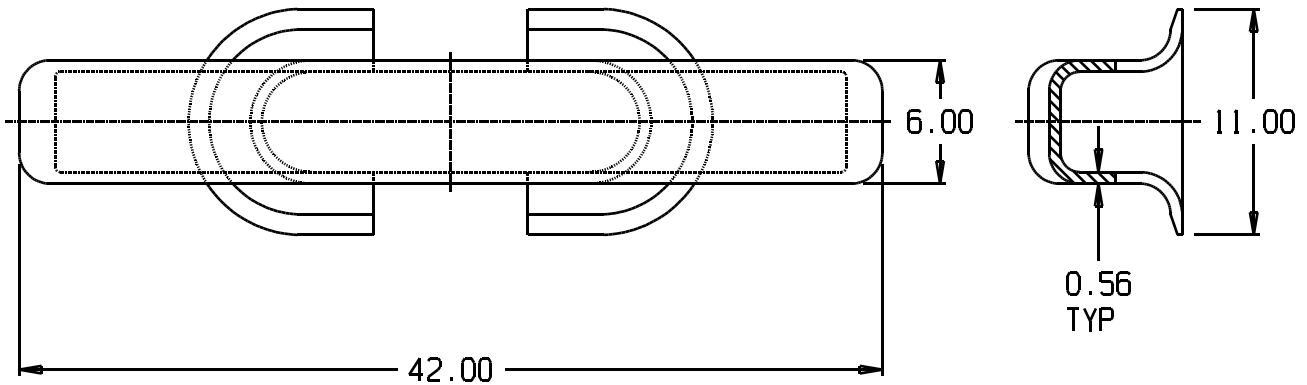
Copyright 2007

Kevels



Marine Deck Hardware

Kevels

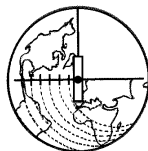


Subject to change with out notice.
Material: ASTM A27 Cast Steel, all castings.

MODEL #	DESCRIPTION	PART #	WEIGHT
UMC-36A	Kevel, 42"	01060-301A	114 lbs

Visit UMC on the WEB @ [Http://www.umcproducts.com](http://www.umcproducts.com)

2920 Airway Avenue
Costa Mesa, Ca. 92626-6013



Phone: 714-437-9600
Fax: 714-437-9700

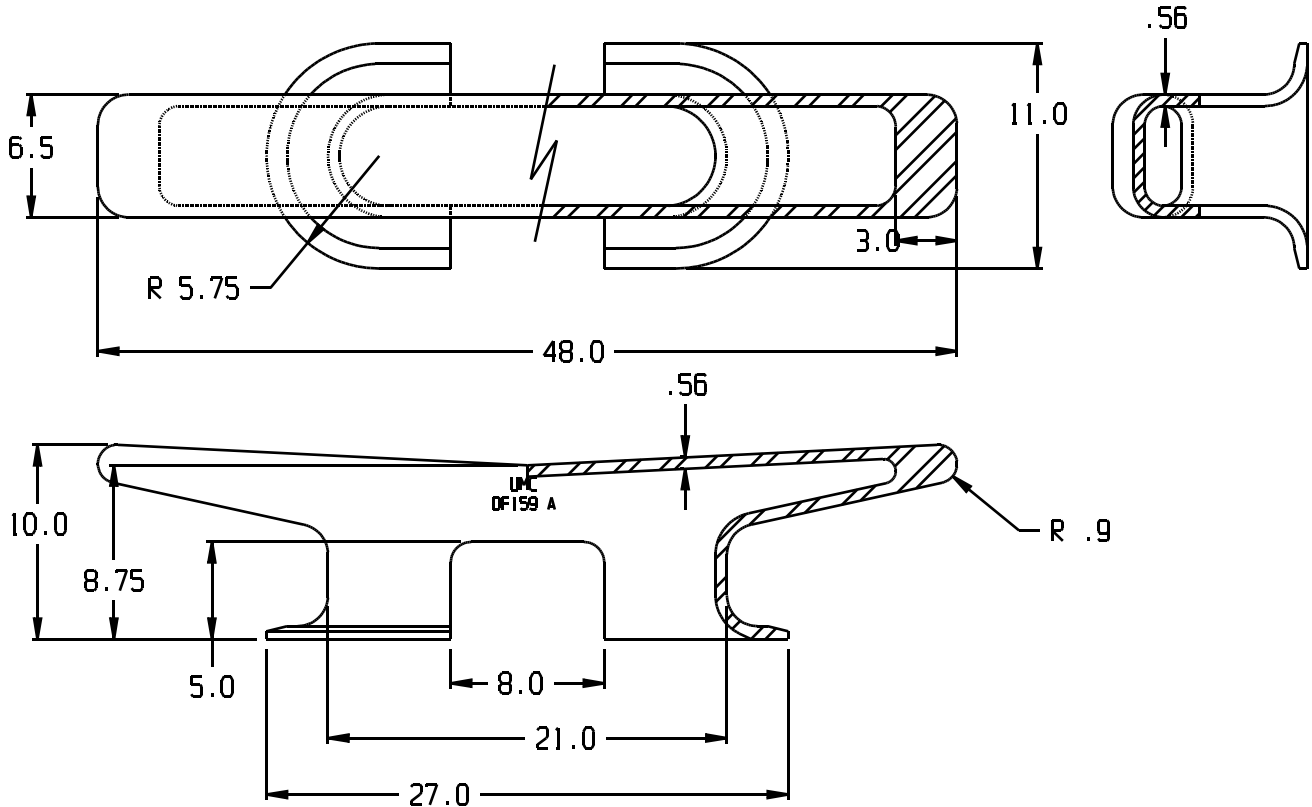
Changing the face of the Earth...

Copyright 2007



Marine Deck Hardware

Kevels

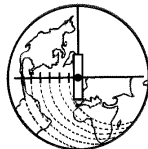


Subject to change with out notice.
Material: ASTM A27 Cast Steel, all castings.

MODEL #	DESCRIPTION	PART #	WEIGHT
UMC-159A	Kevel, 48"	01070-301A	175 lbs

Visit UMC on the WEB @ [Http://www.umcproducts.com](http://www.umcproducts.com)

2920 Airway Avenue
Costa Mesa, Ca. 92626-6013



Phone: 714-437-9600
Fax: 714-437-9700

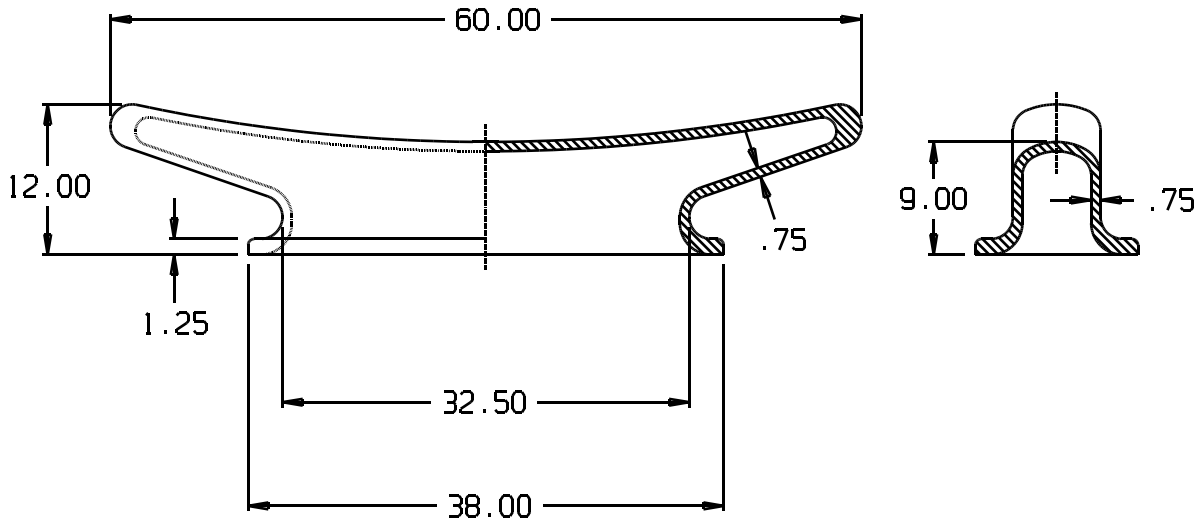
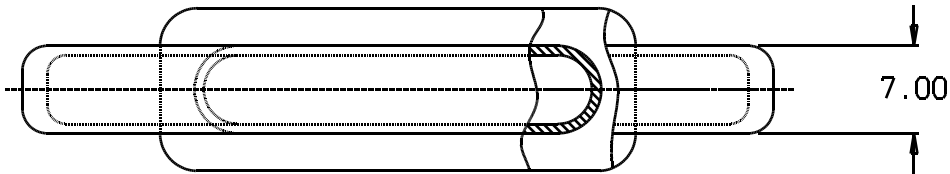
Changing the face of the Earth....

Copyright 2007



Marine Deck Hardware

Kevels

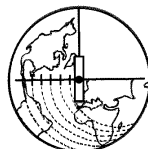


Subject to change with out notice.
Material: ASTM A27 Cast Steel, all castings.

MODEL #	DESCRIPTION	PART #	WEIGHT
UMC-KC60	Kevel 60"	01101-301A	390 lbs

Visit UMC on the WEB @ [Http://www.umcproducts.com](http://www.umcproducts.com)

2920 Airway Avenue
Costa Mesa, Ca. 92626-6013



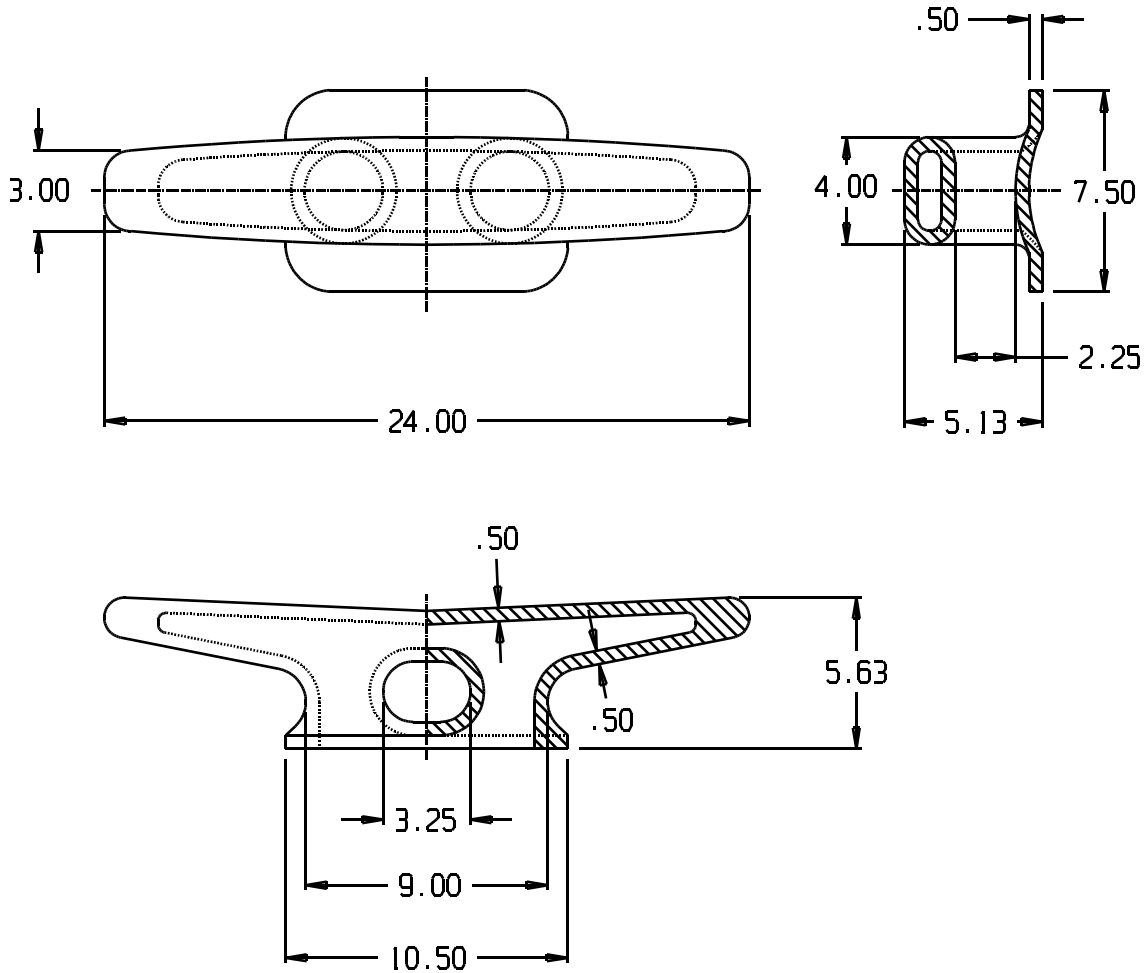
Phone: 714-437-9600
Fax: 714-437-9700

Changing the face of the Earth....

Copyright 2007



Marine Deck Hardware



Subject to change with out notice.
Material: ASTM A27 Cast Steel, all castings.

MODEL #	DESCRIPTION	PART #	WEIGHT
UMC-30	Kevel Chock 24"	02990-301A	50 lbs

Visit UMC on the WEB @ [Http://www.umcproducts.com](http://www.umcproducts.com)

2920 Airway Avenue
Costa Mesa, Ca. 92626-6013



Phone: 714-437-9600
Fax: 714-437-9700

Changing the face of the Earth....

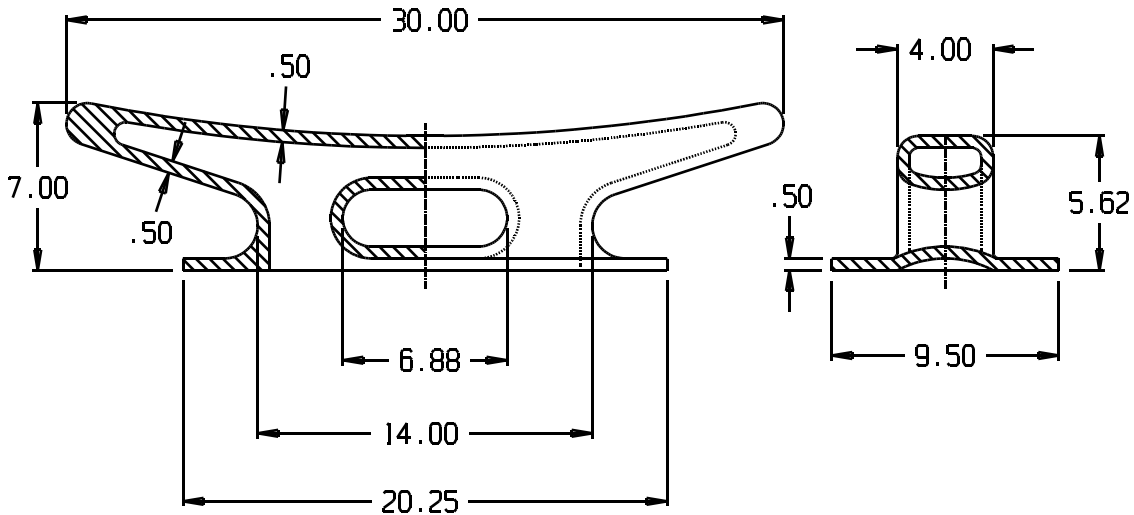
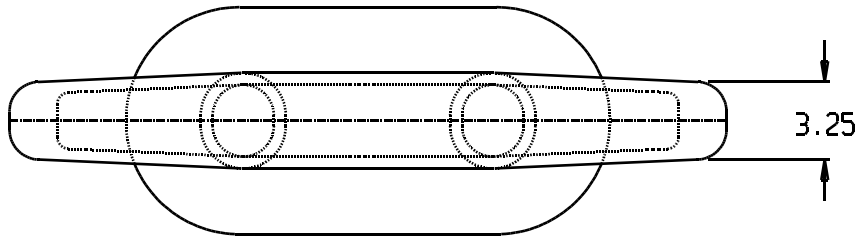
Copyright 2007

Kevels



Marine Deck Hardware

Kevels



Subject to change with out notice.
Material: ASTM A27 Cast Steel, all castings.

MODEL #	DESCRIPTION	PART #	WEIGHT
UMC-KC30	Kevel Chock 30"	01081-301A	75 lbs

Visit UMC on the WEB @ [Http://www.umcproducts.com](http://www.umcproducts.com)

2920 Airway Avenue
Costa Mesa, Ca. 92626-6013



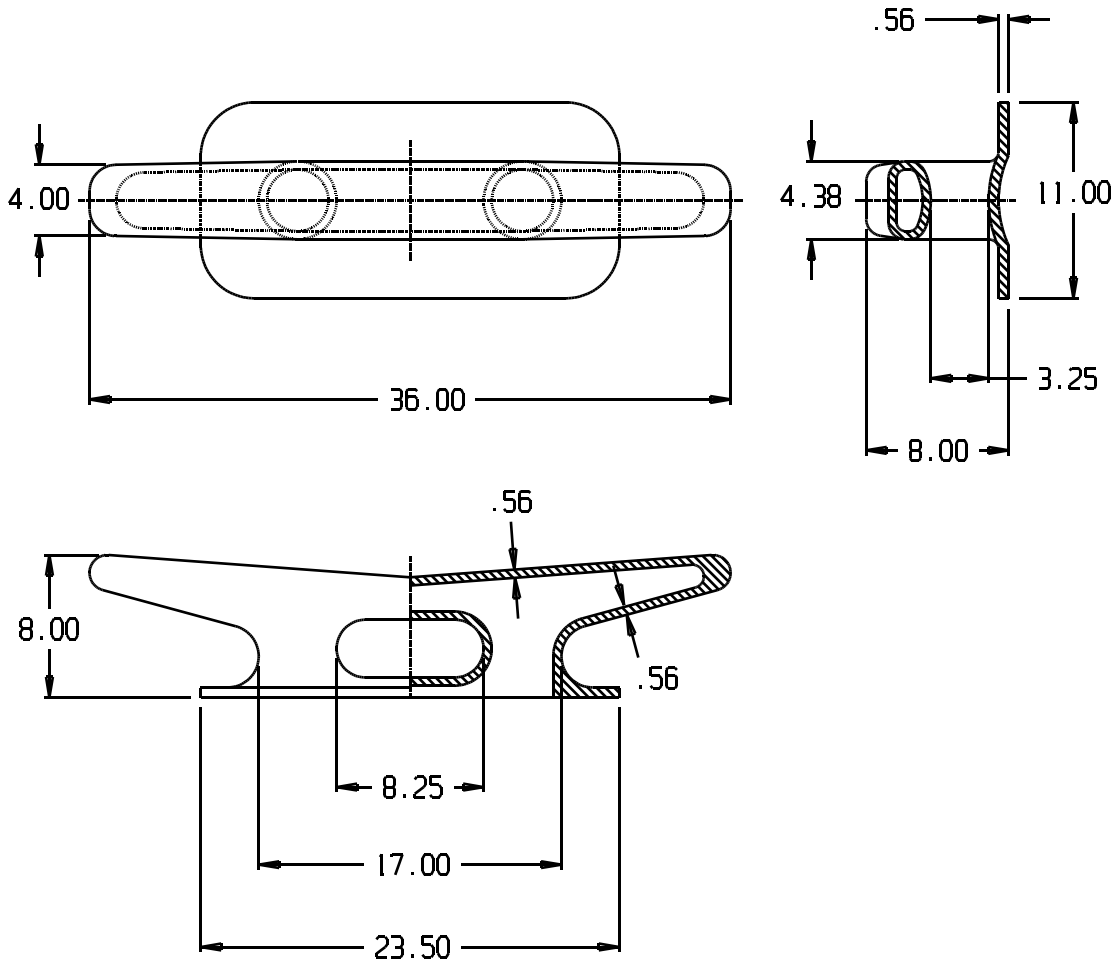
Phone: 714-437-9600
Fax: 714-437-9700

Changing the face of the Earth....

Copyright 2007



Marine Deck Hardware



Subject to change with out notice.
Material: ASTM A27 Cast Steel, all castings.

MODEL #	DESCRIPTION	PART #	WEIGHT
UMC-482	Kevel Chock 36"	01080-301A	98 lbs

Visit UMC on the WEB @ [Http://www.umcproducts.com](http://www.umcproducts.com)

2920 Airway Avenue
Costa Mesa, Ca. 92626-6013



Phone: 714-437-9600
Fax: 714-437-9700

Changing the face of the Earth....

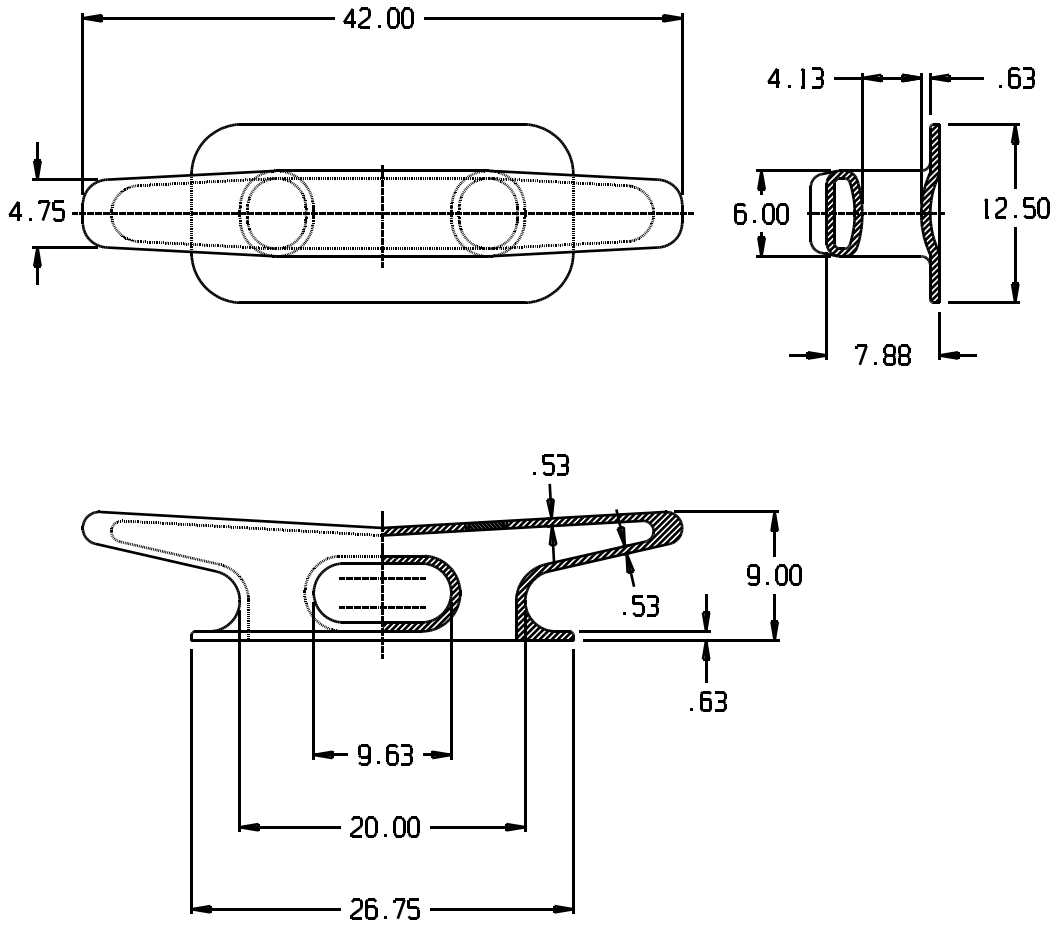
Copyright 2007

Kevels



Marine Deck Hardware

Kevels



Subject to change with out notice.
Material: ASTM A27 Cast Steel, all castings.

MODEL #	DESCRIPTION	PART #	WEIGHT
UMC-483	Kevel Chock 42"	01090-301A	168 lbs

Visit UMC on the WEB @ [Http://www.umcproducts.com](http://www.umcproducts.com)

2920 Airway Avenue
Costa Mesa, Ca. 92626-6013



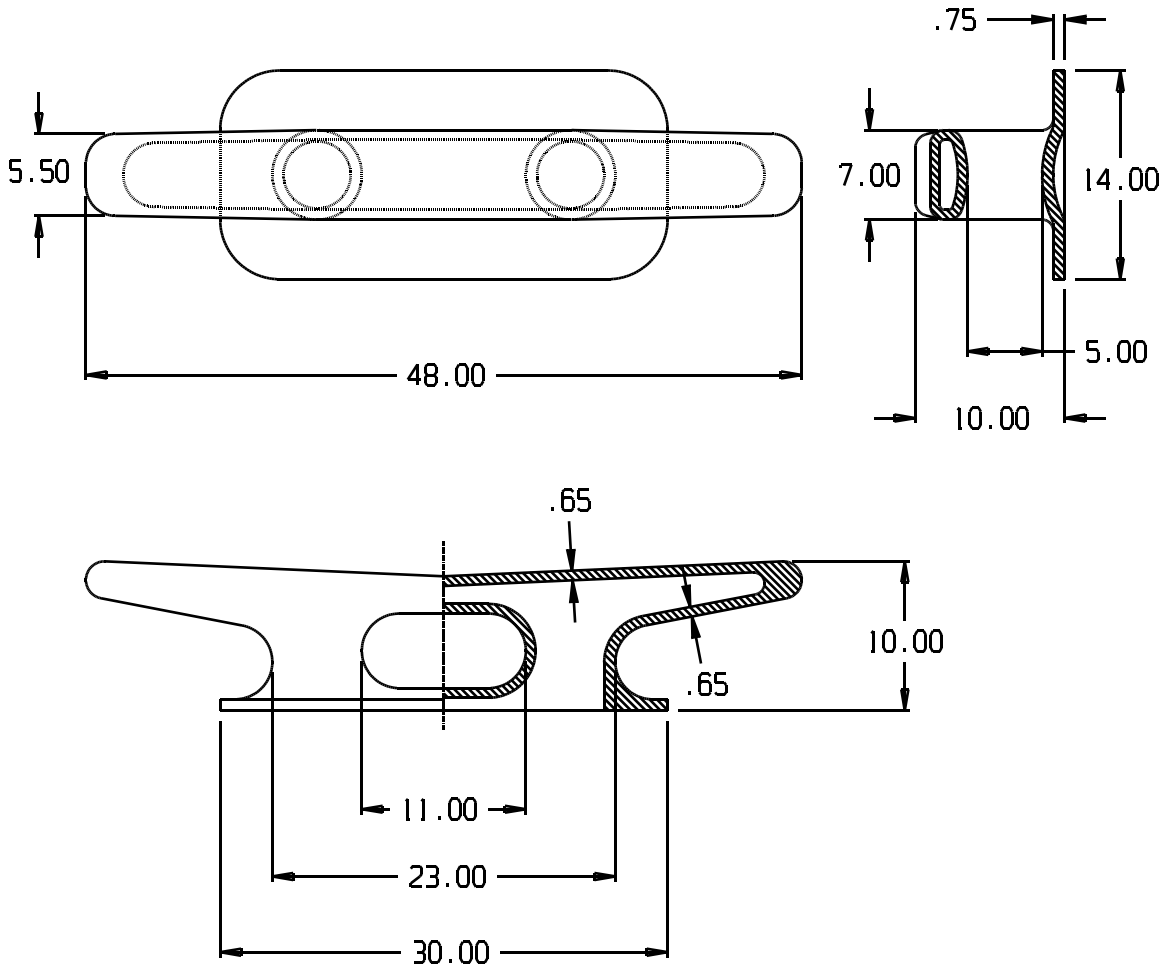
Phone: 714-437-9600
Fax: 714-437-9700

Changing the face of the Earth....

Copyright 2007



Marine Deck Hardware



Subject to change with out notice.
Material: ASTM A27 Cast Steel, all castings.

MODEL #	DESCRIPTION	PART #	WEIGHT
UMC-484	Kevel Chock 48"	01100-301A	220 lbs

Visit UMC on the WEB @ [Http://www.umcproducts.com](http://www.umcproducts.com)

2920 Airway Avenue
Costa Mesa, Ca. 92626-6013



Phone: 714-437-9600
Fax: 714-437-9700

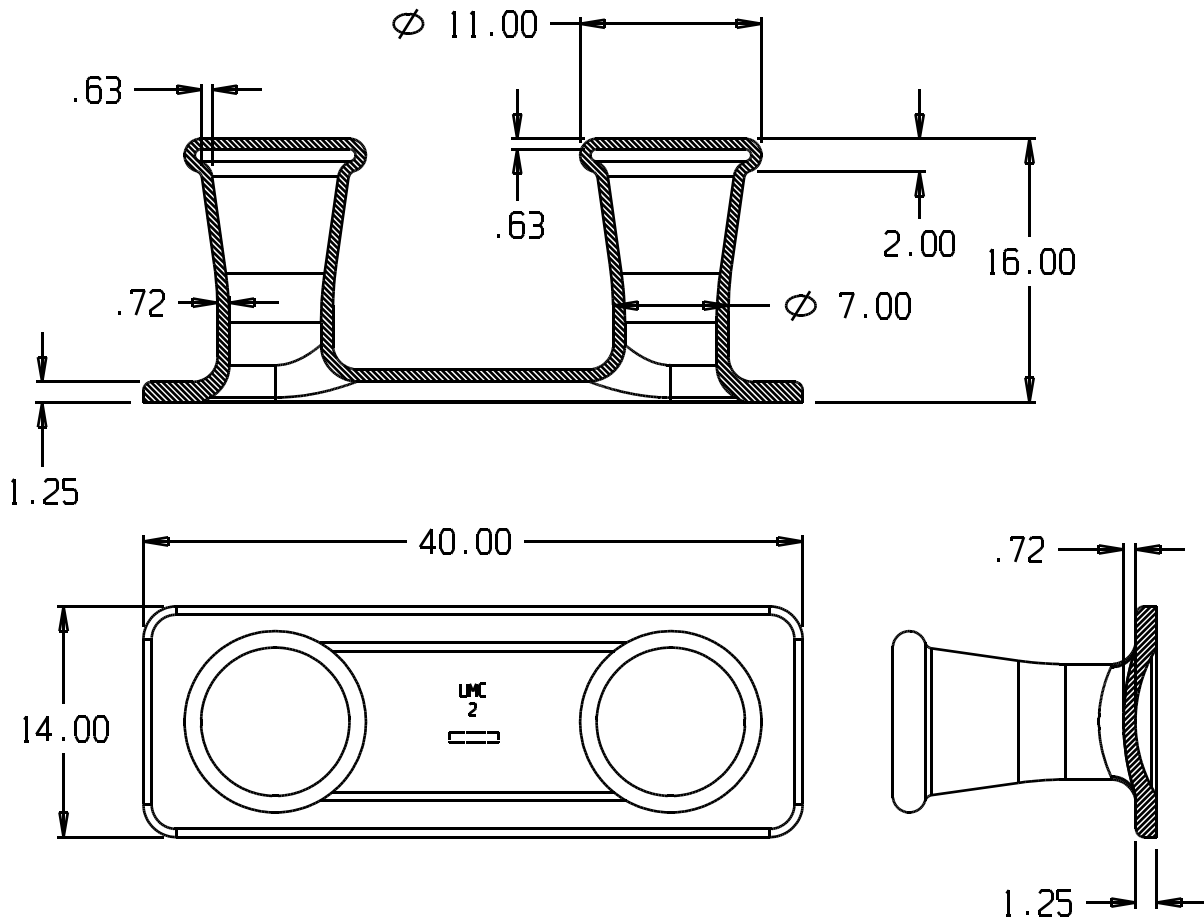
Changing the face of the Earth....

Copyright 2007

Kevels



Marine Deck Hardware



Subject to change with out notice.
Material: ASTM A27 Cast Steel, all castings.

MODEL #	DESCRIPTION	PART #	WEIGHT
UMC-2	Double Bitt 8"	01110-301A	320 lbs

Visit UMC on the WEB @ [Http://www.umcproducts.com](http://www.umcproducts.com)

2920 Airway Avenue
Costa Mesa, Ca. 92626-6013



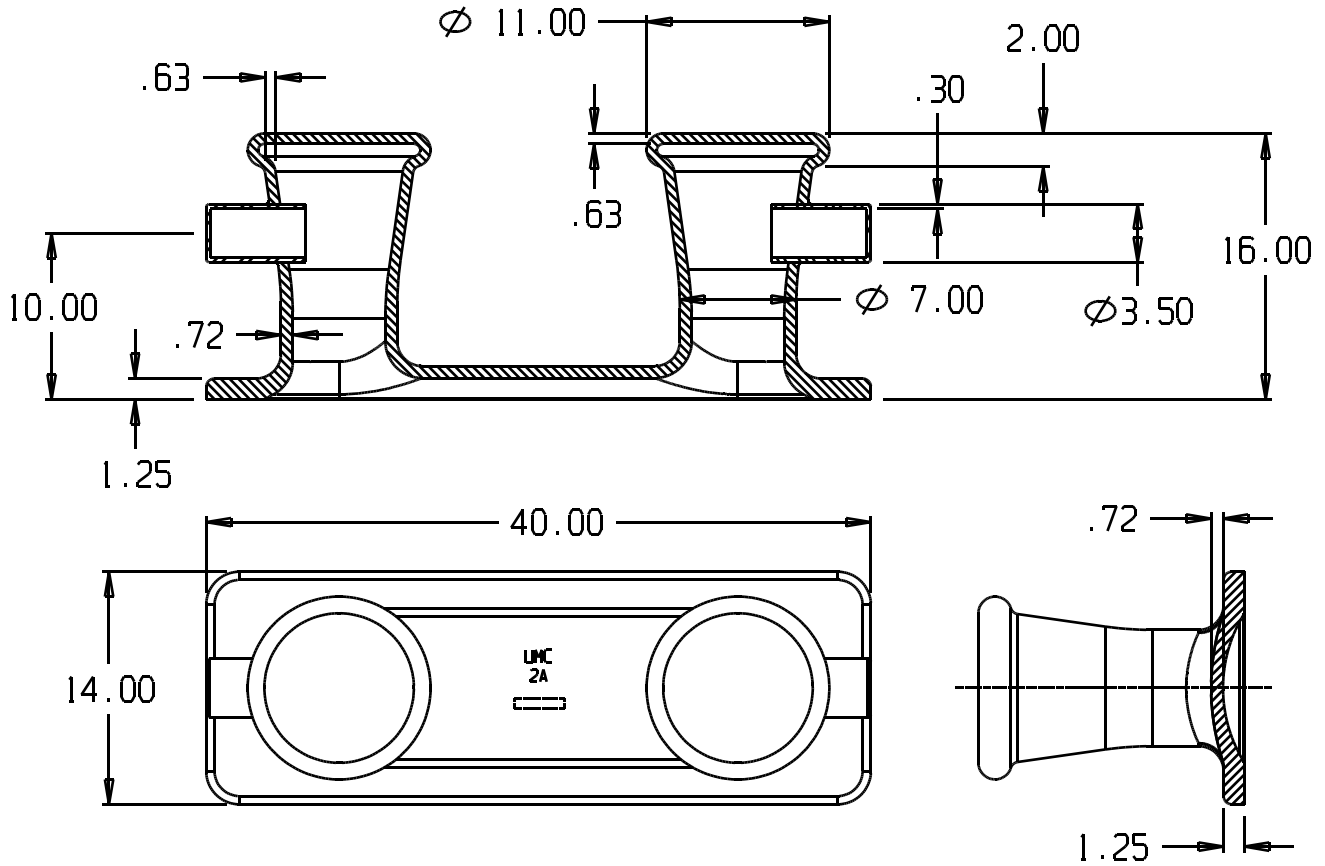
Phone: 714-437-9600
Fax: 714-437-9700

Changing the face of the Earth....

Copyright 2007



Marine Deck Hardware



Subject to change with out notice.
Material: ASTM A27 Cast Steel, all castings.

MODEL #	DESCRIPTION	PART #	WEIGHT
UMC-2A	Double Bitt 8" With Horns	04200-301A	331 lbs

Visit UMC on the WEB @ [Http://www.umcproducts.com](http://www.umcproducts.com)

2920 Airway Avenue
Costa Mesa, Ca. 92626-6013



Phone: 714-437-9600
Fax: 714-437-9700

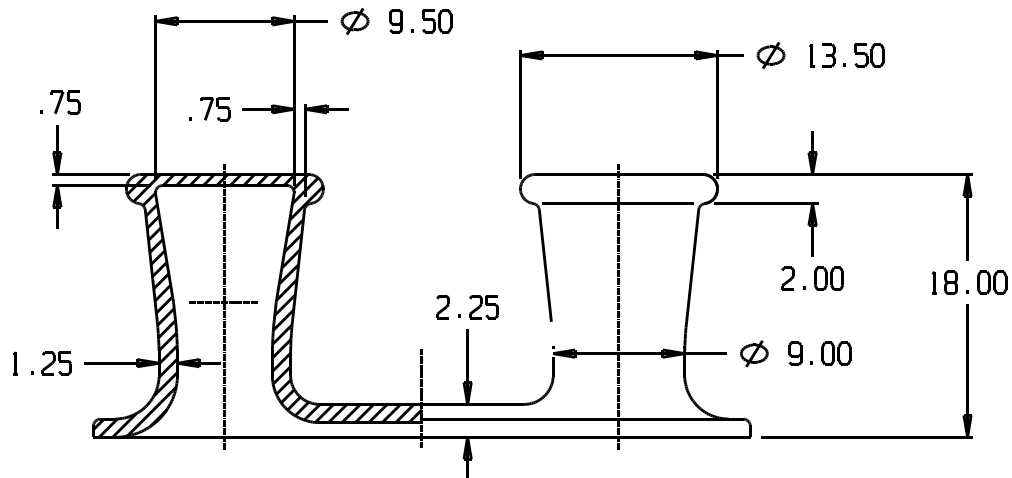
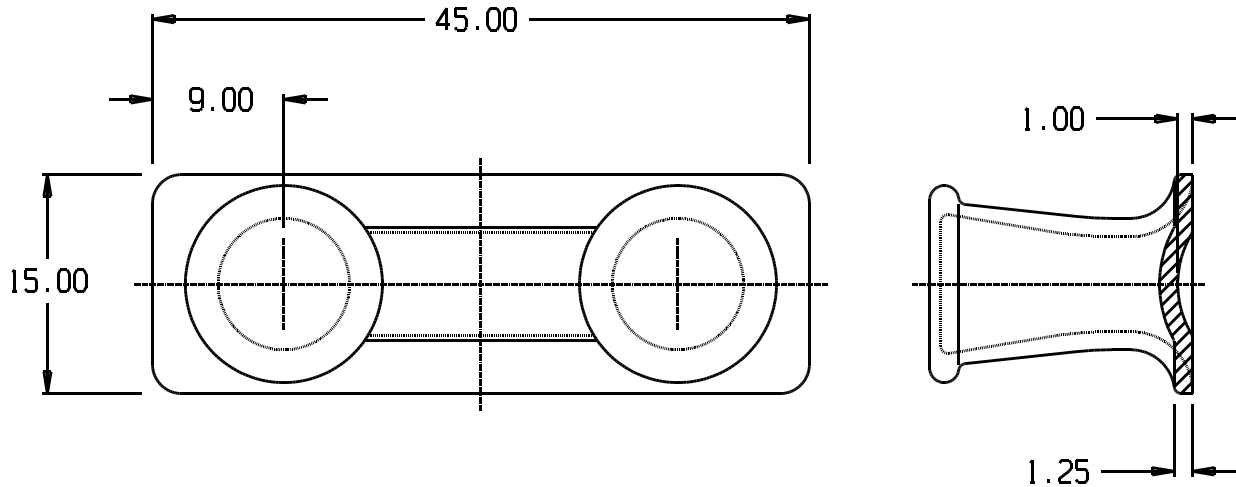
Changing the face of the Earth....

Copyright 2007

Bits



Marine Deck Hardware



Subject to change with out notice.
Material: ASTM A27 Cast Steel, all castings.

MODEL #	DESCRIPTION	PART #	WEIGHT
UMC-40	Double Bitt 10"	01120-301A	574 lbs

Visit UMC on the WEB @ [Http://www.umcproducts.com](http://www.umcproducts.com)

2920 Airway Avenue
Costa Mesa, Ca. 92626-6013



Phone: 714-437-9600
Fax: 714-437-9700

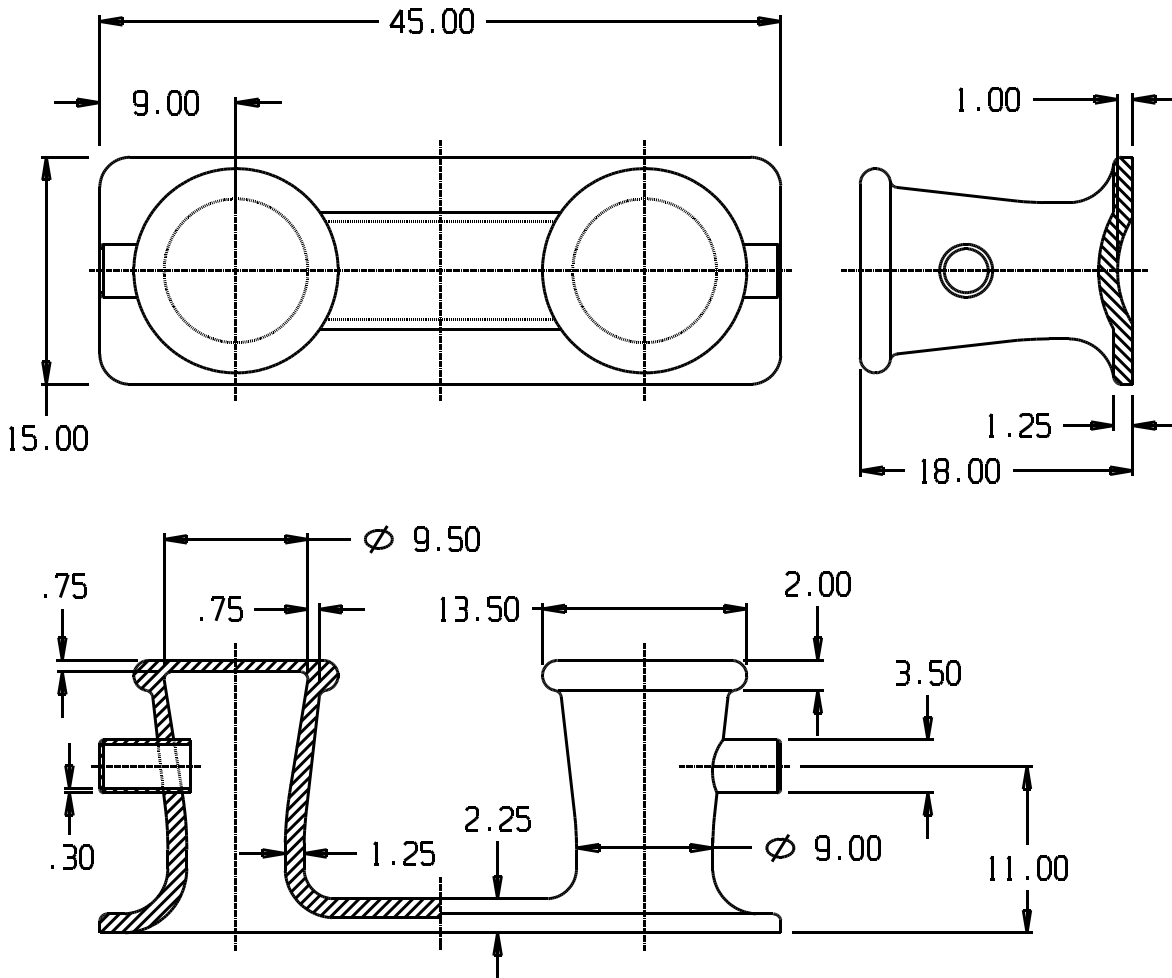
Changing the face of the Earth....

Copyright 2007

Bits



Marine Deck Hardware



Subject to change with out notice.
Material: ASTM A27 Cast Steel, all castings.

MODEL #	DESCRIPTION	PART #	WEIGHT
UMC-40A	Double Bitt 10" With Horns	03760-301A	579 lbs

Visit UMC on the WEB @ [Http://www.umcproducts.com](http://www.umcproducts.com)

2920 Airway Avenue
Costa Mesa, Ca. 92626-6013



Phone: 714-437-9600
Fax: 714-437-9700

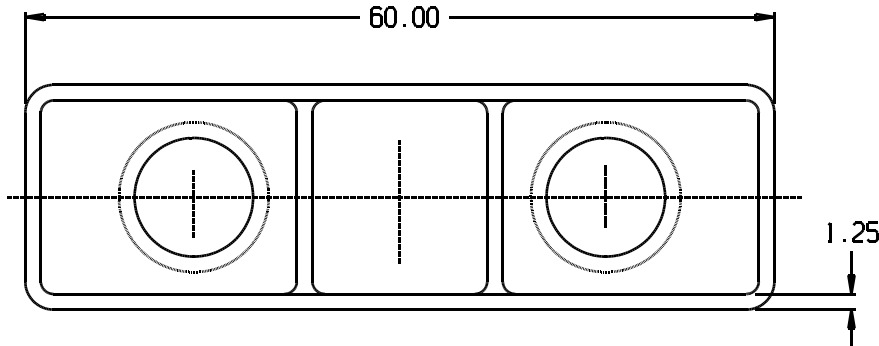
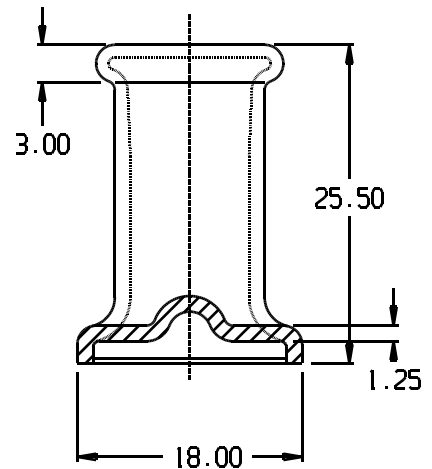
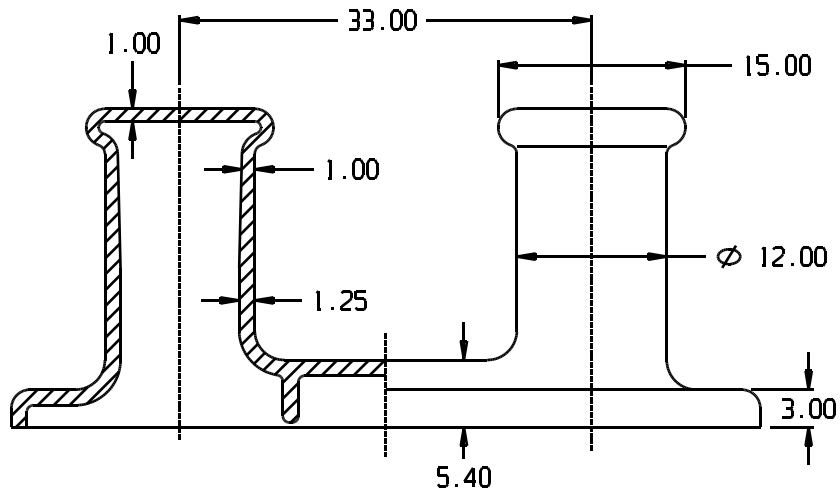
Changing the face of the Earth....

Copyright 2007

Bits



Marine Deck Hardware



Subject to change with out notice.
Material: ASTM A27 Cast Steel, all castings.

MODEL #	DESCRIPTION	PART #	WEIGHT
UMC-491	Double Bitt 12"	05970-301A	1045lbs

Visit UMC on the WEB @ [Http://www.umcproducts.com](http://www.umcproducts.com)

2920 Airway Avenue
Costa Mesa, Ca. 92626-6013



Phone: 714-437-9600
Fax: 714-437-9700

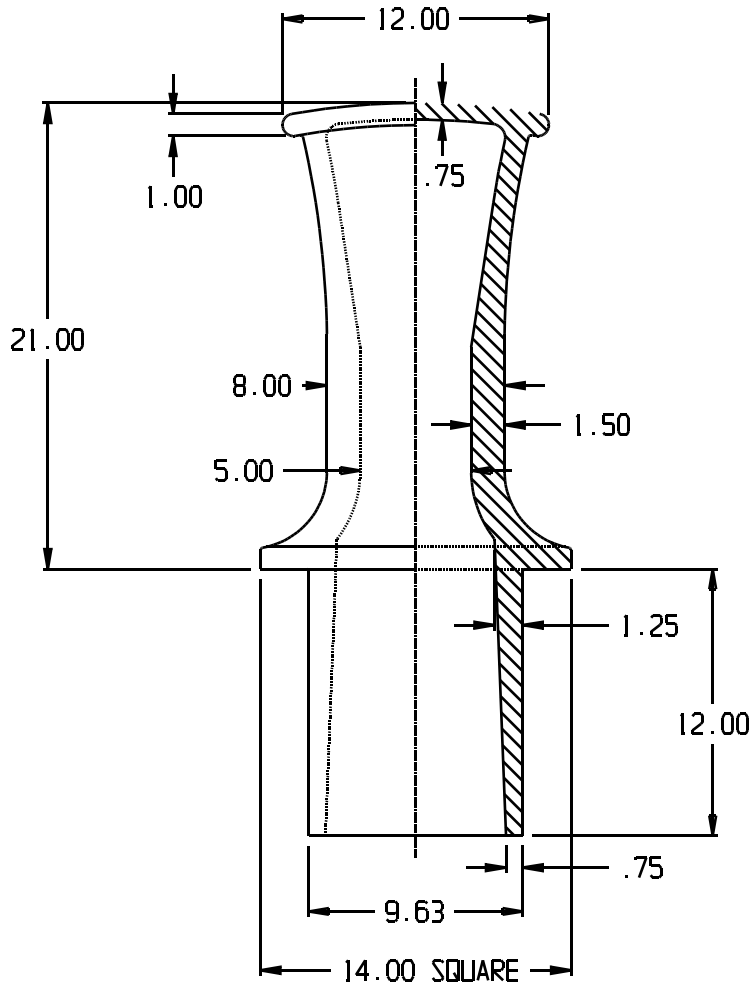
Changing the face of the Earth....

Copyright 2007

Bits



Marine Deck Hardware



Subject to change with out notice.
Material: ASTM A27 Cast Steel, all castings.

MODEL #	DESCRIPTION	PART #	WEIGHT
UMC-492	Single Bitt 8" Thru Deck Square Base	03720-301A	370 lbs

Visit UMC on the WEB @ [Http://www.umcproducts.com](http://www.umcproducts.com)

2920 Airway Avenue
Costa Mesa, Ca. 92626-6013



Phone: 714-437-9600
Fax: 714-437-9700

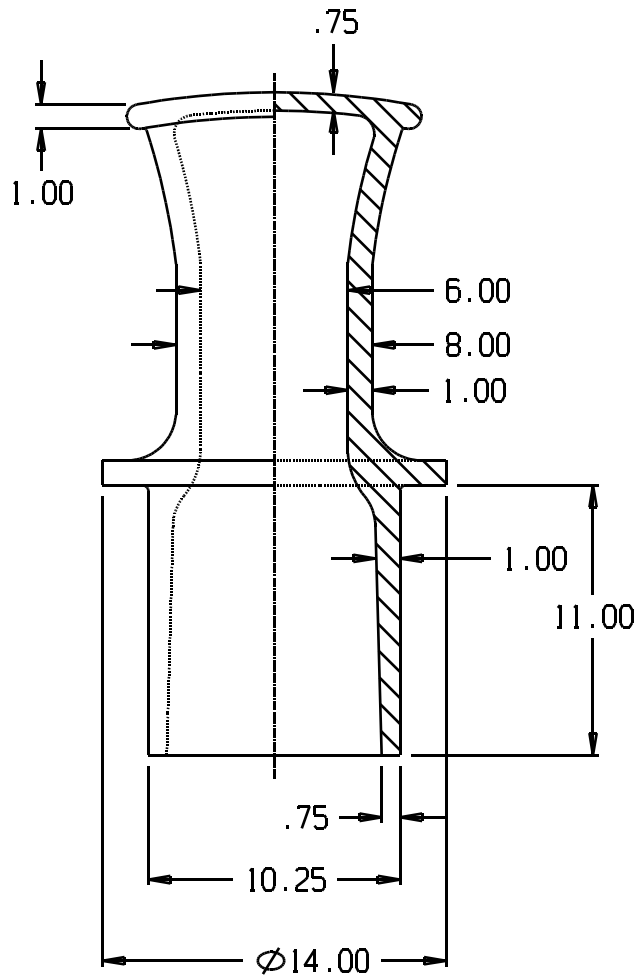
Changing the face of the Earth....

Copyright 2007

Bits



Marine Deck Hardware



Subject to change with out notice.

Material: ASTM A27 Cast Steel, all castings.

MODEL #	DESCRIPTION	PART #	WEIGHT
UMC-530	Single Bitt 8" Thru Deck	08000-301B	260 lbs

Visit UMC on the WEB @ [Http://www.umcproducts.com](http://www.umcproducts.com)

2920 Airway Avenue
Costa Mesa, Ca. 92626-6013



Phone: 714-437-9600
Fax: 714-437-9700

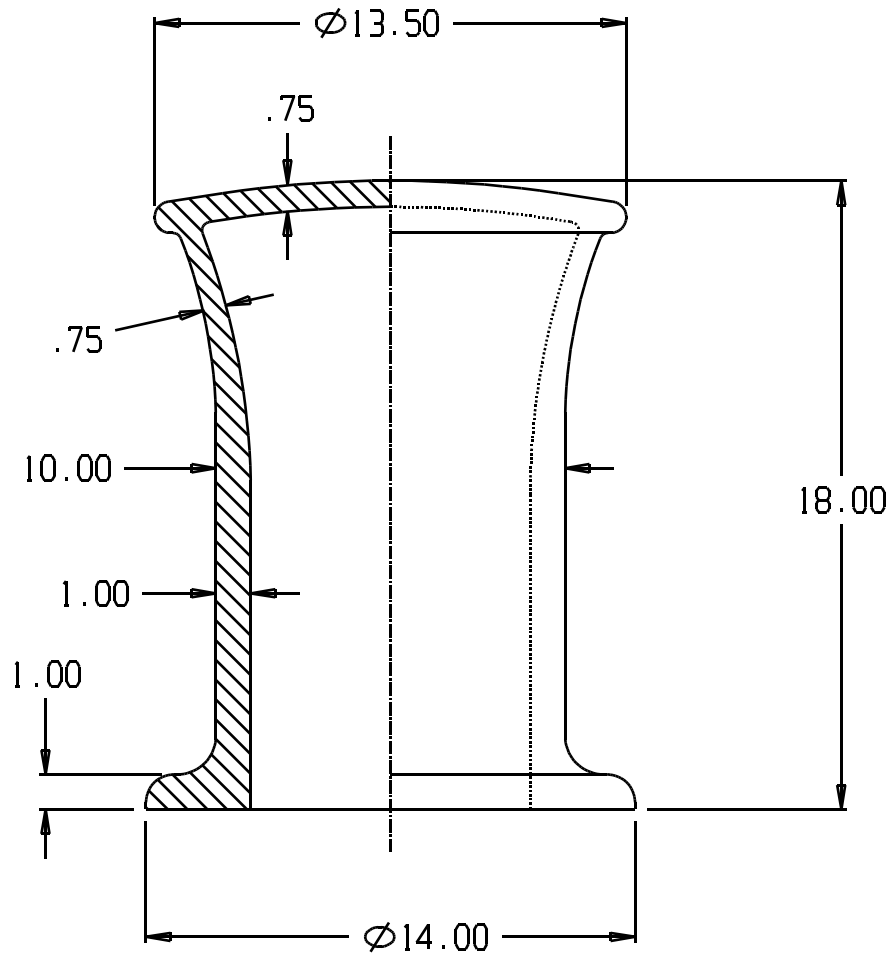
Changing the face of the Earth....

Copyright 2007

Bits



Marine Deck Hardware



Subject to change with out notice.
Material: ASTM A27 Cast Steel, all castings.

MODEL #	DESCRIPTION	PART #	WEIGHT
UMC-SB10	Single Bitt 10"	01140-301A	190 lbs

Visit UMC on the WEB @ [Http://www.umcproducts.com](http://www.umcproducts.com)

2920 Airway Avenue
Costa Mesa, Ca. 92626-6013



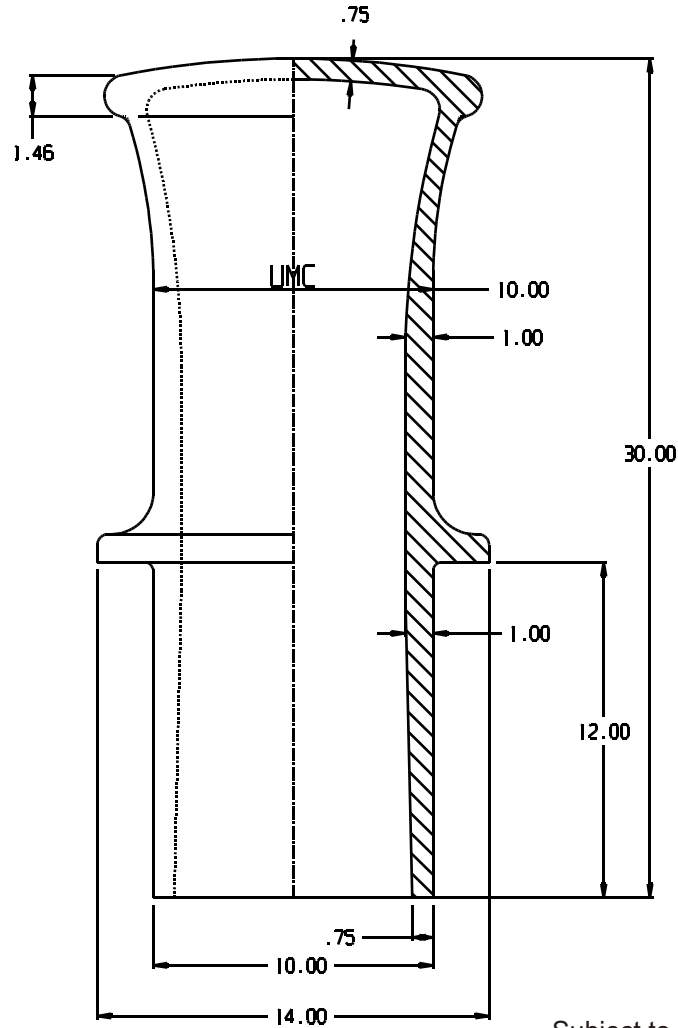
Phone: 714-437-9600
Fax: 714-437-9700

Changing the face of the Earth....

Copyright 2007



Marine Deck Hardware



Subject to change with out notice.

Material: ASTM A27 Cast Steel, all castings.

MODEL #	DESCRIPTION	PART #	WEIGHT
UMC-SB10-T	Single Bitt 10" Thru Deck	01142-301A	293 lbs

Visit UMC on the WEB @ [Http://www.umcproducts.com](http://www.umcproducts.com)

2920 Airway Avenue
Costa Mesa, Ca. 92626-6013



Phone: 714-437-9600
Fax: 714-437-9700

Changing the face of the Earth....

Copyright 2007

Bits

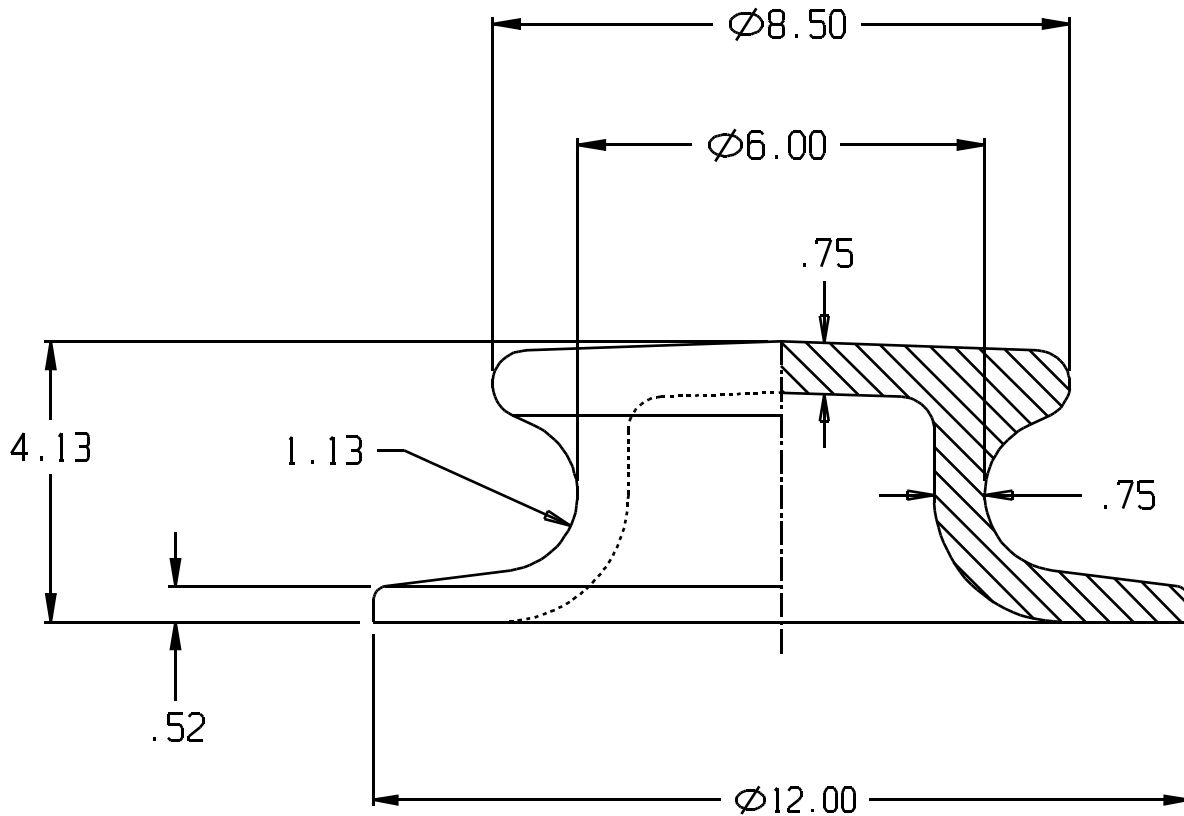
Universal Motion Components

Part Number	Description	UMC P/N	Weight	Page
UMC-192	Button Chock 6"	01160-301A	38 lbs	Page 54
UMC-473	Button Chock 8"	01180-301A	75 lbs	Page 55
UMC-185	Button Chock 10"	01170-301A	144 lbs	Page 56
UMC-480	Closed Chock 9"	04610-301A	176 lbs	Page 57
UMC-490	Closed Chock 12"	06240-301A	455 lbs	Page 58
UMC-14	Closed Chock 14"	06241-301A	725 lbs	Page 59
UMC-485	Open Chock 9"	07870-301A	176 lbs	Page 60
UMC-489	Open Chock 12"	06242-301A	435 lbs	Page 61
UMC-1014	Panama Chock 10" X 14"	08370-301A	335 lbs	Page 62
UMC-1218	Panama Chock 12" X 18"	08372-301A	583 lbs	Page 63
UMC-1218E	Mooring Eye 12 x 18	08371-301A	467 lbs	Page 64
UMC-M812	Mooring Eye 8 x 12	08750-301A	102 lbs	Page 65
UMC-50	Roller Button Welded 11"	08670-152A	100 lbs	Page 66
UMC-75	Roller Button Welded 12.5"	08671-152A	136 lbs	Page 67
UMC-100	Roller Button Welded 15.5	08672-152A	235 lbs	Page 68
UMC-1048	Roller Button Welded	08674-101A	250 lbs	Page 69
UMC-927	Roller Chock	08830-101A	50 lbs	Page 70
UMC-196	D Ring	01190-301A	60 lbs	Page 71

Chocks, Eyes
& Buttons



Marine Deck Hardware



Subject to change with out notice.
Material: ASTM A27 Cast Steel, all castings.

MODEL #	DESCRIPTION	PART #	WEIGHT
UMC-192	Button Chock 6"	01160-301A	38 lbs

Visit UMC on the WEB @ [Http://www.umcproducts.com](http://www.umcproducts.com)

2920 Airway Avenue
Costa Mesa, Ca. 92626-6013



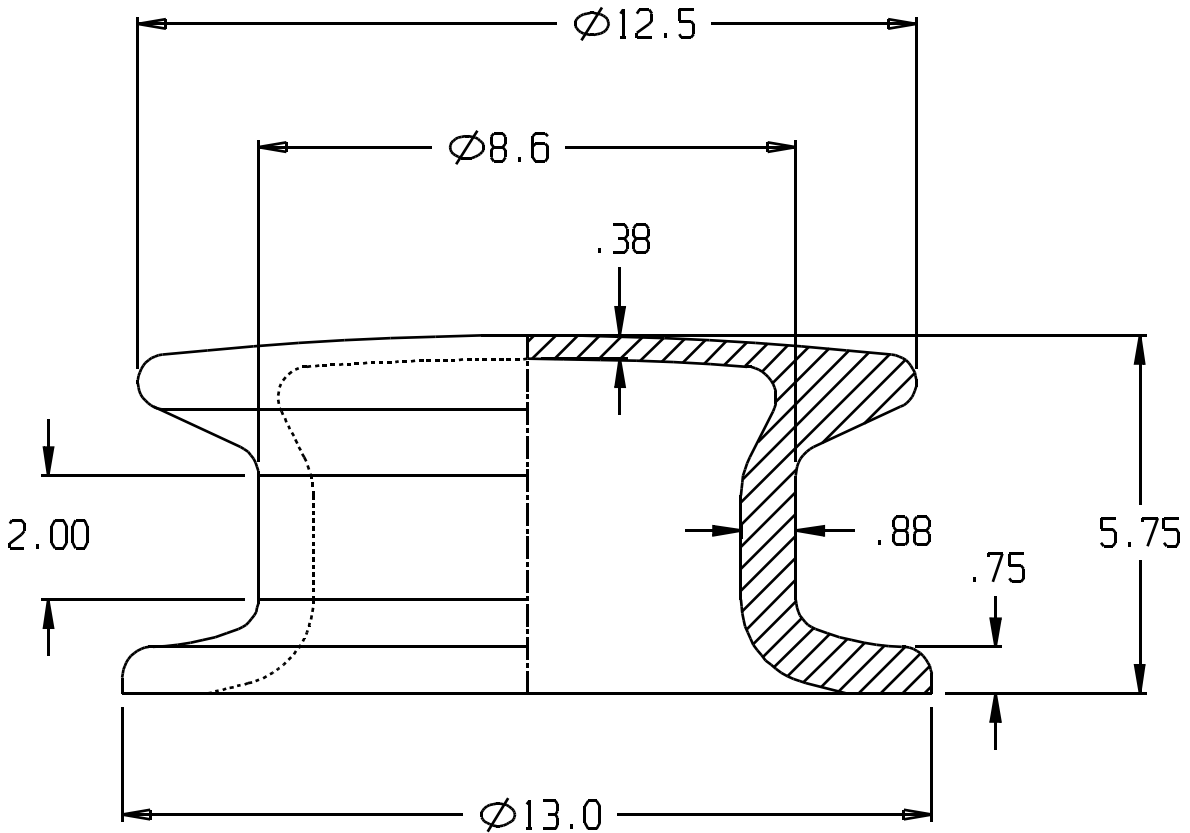
Phone: 714-437-9600
Fax: 714-437-9700

Changing the face of the Earth....

Copyright 2007



Marine Deck Hardware



Subject to change with out notice.
Material: ASTM A27 Cast Steel, all castings.

MODEL #	DESCRIPTION	PART #	WEIGHT
UMC-473	Button Chock 8"	01180-301A	75 lbs

Visit UMC on the WEB @ [Http://www.umcproducts.com](http://www.umcproducts.com)

2920 Airway Avenue
Costa Mesa, Ca. 92626-6013



Phone: 714-437-9600
Fax: 714-437-9700

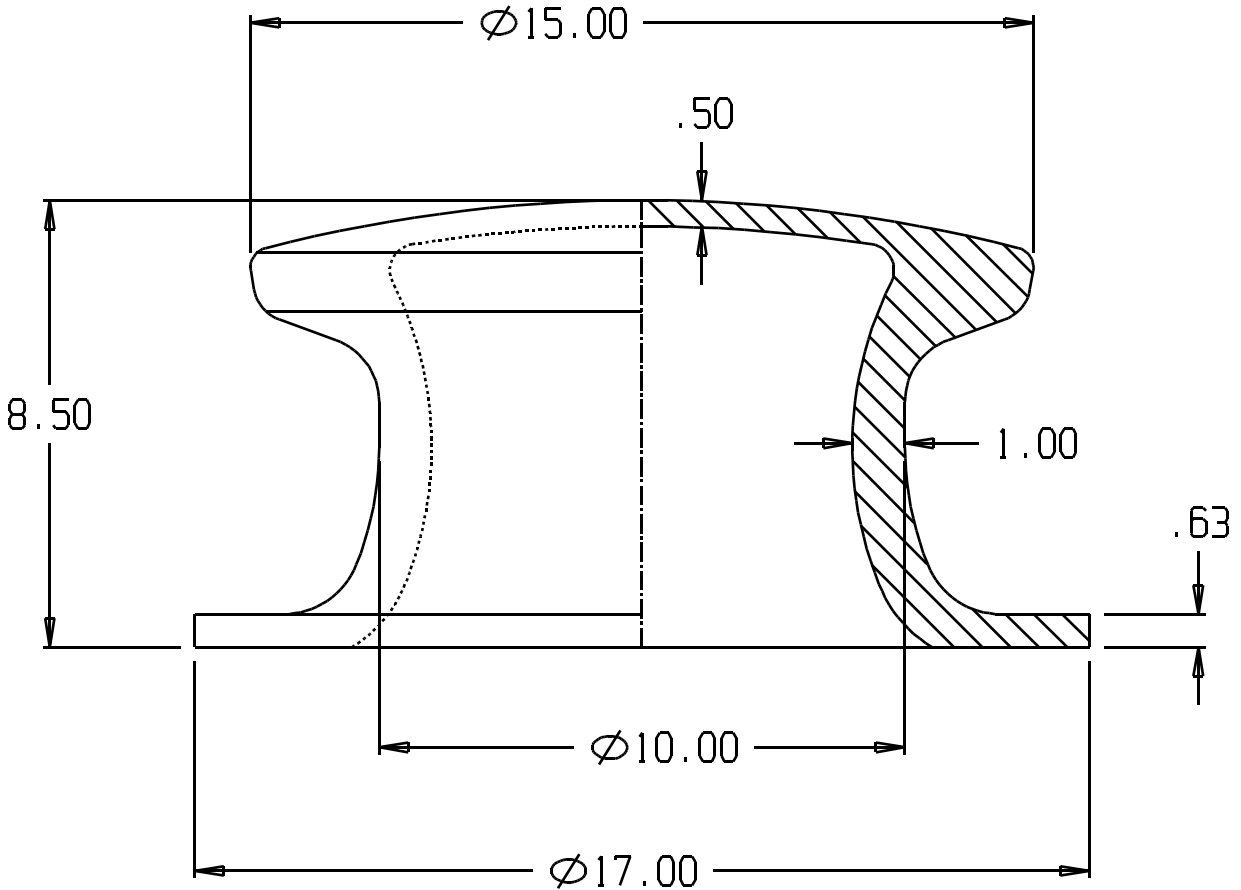
Changing the face of the Earth....

Copyright 2007

Chocks, Eyes
& Buttons



Marine Deck Hardware



Subject to change with out notice.
Material: ASTM A27 Cast Steel, all castings.

MODEL #	DESCRIPTION	PART #	WEIGHT
UMC-185	Button Chock 10"	01170-301A	144 lbs

Visit UMC on the WEB @ [Http://www.umcproducts.com](http://www.umcproducts.com)

2920 Airway Avenue
Costa Mesa, Ca. 92626-6013



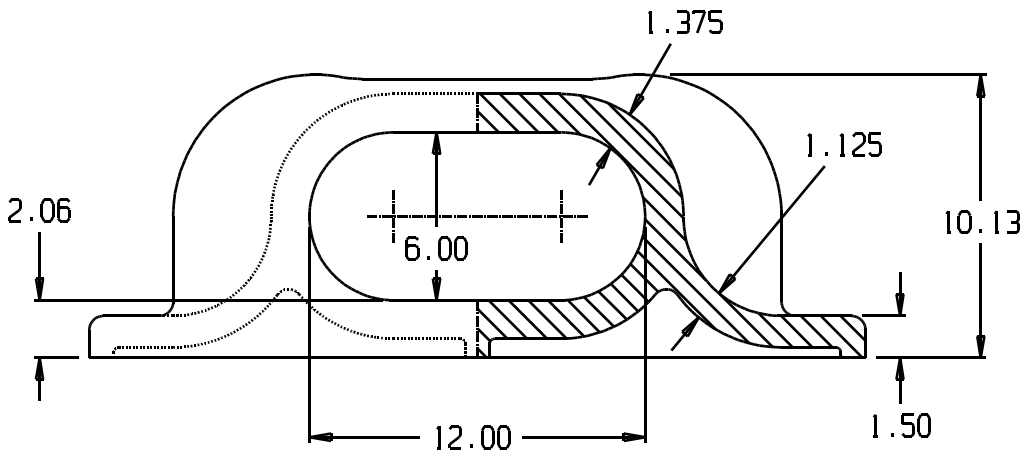
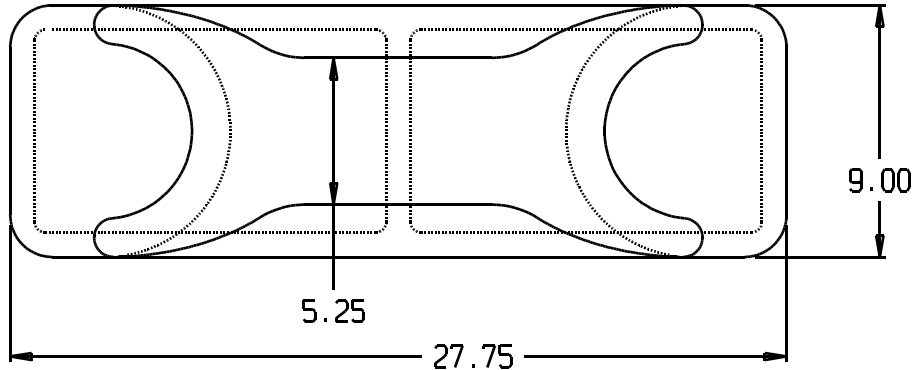
Phone: 714-437-9600
Fax: 714-437-9700

Changing the face of the Earth....

Copyright 2007



Marine Deck Hardware



Subject to change with out notice.
Material: ASTM A27 Cast Steel, all castings.

MODEL #	DESCRIPTION	PART #	WEIGHT
UMC-480	Closed Chock 9"	04610-301A	176 lbs

Visit UMC on the WEB @ [Http://www.umcproducts.com](http://www.umcproducts.com)

2920 Airway Avenue
Costa Mesa, Ca. 92626-6013



Phone: 714-437-9600
Fax: 714-437-9700

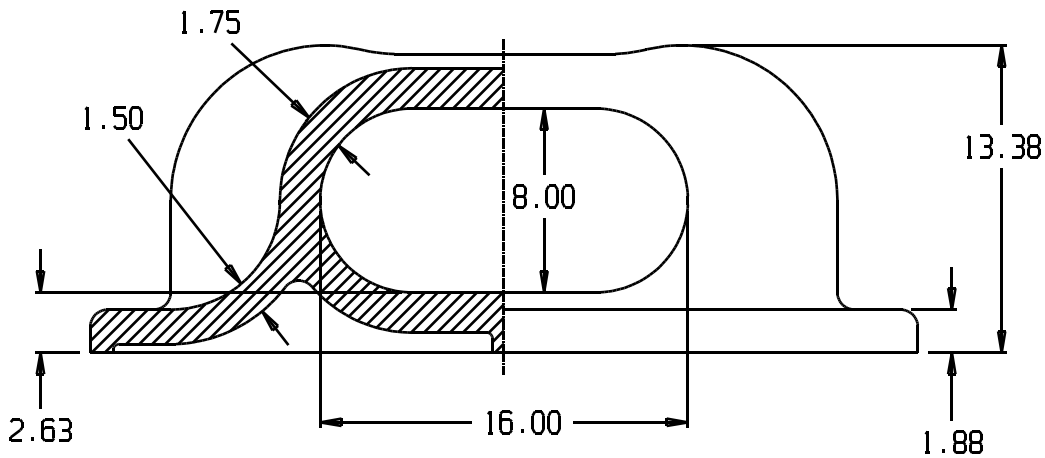
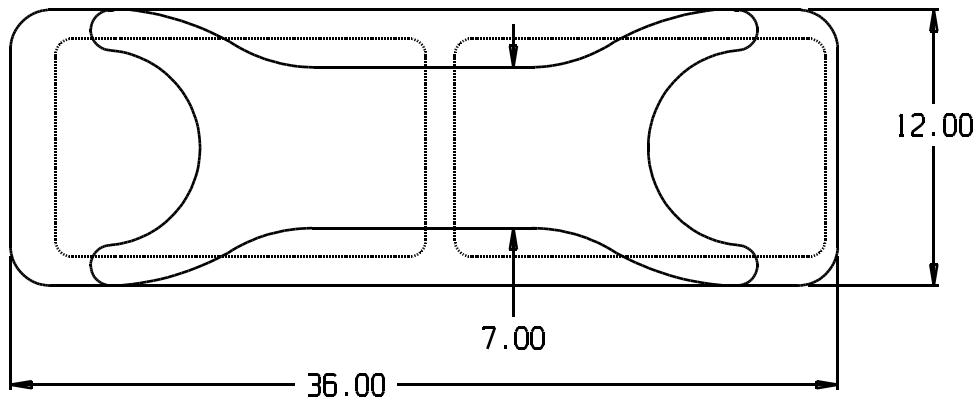
Changing the face of the Earth....

Copyright 2007

Chocks, Eyes
& Buttons



Marine Deck Hardware



Subject to change with out notice.
Material: ASTM A27 Cast Steel, all castings.

MODEL #	DESCRIPTION	PART #	WEIGHT
UMC-490	Closed Chock 12"	06240-301A	455 lbs

Visit UMC on the WEB @ [Http://www.umcproducts.com](http://www.umcproducts.com)

2920 Airway Avenue
Costa Mesa, Ca. 92626-6013



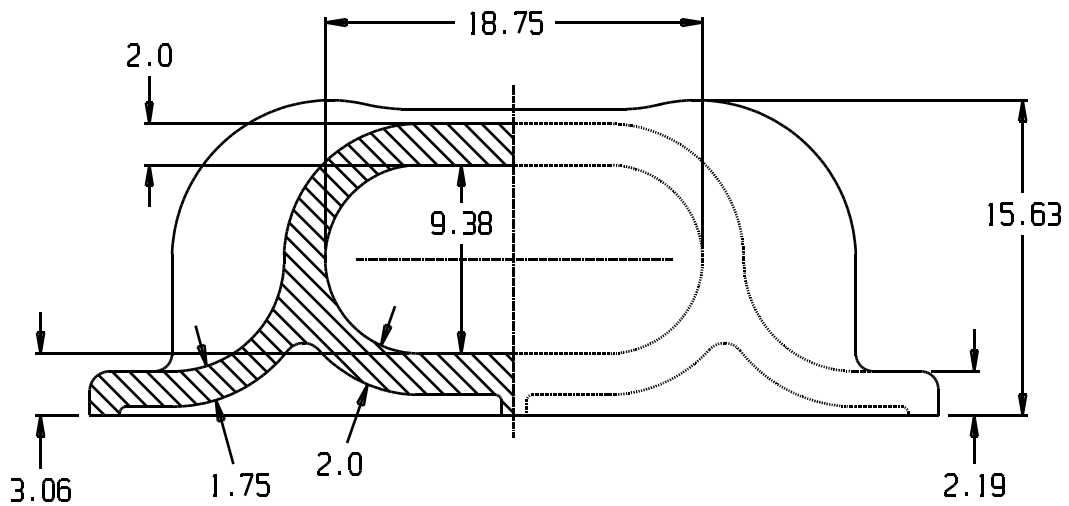
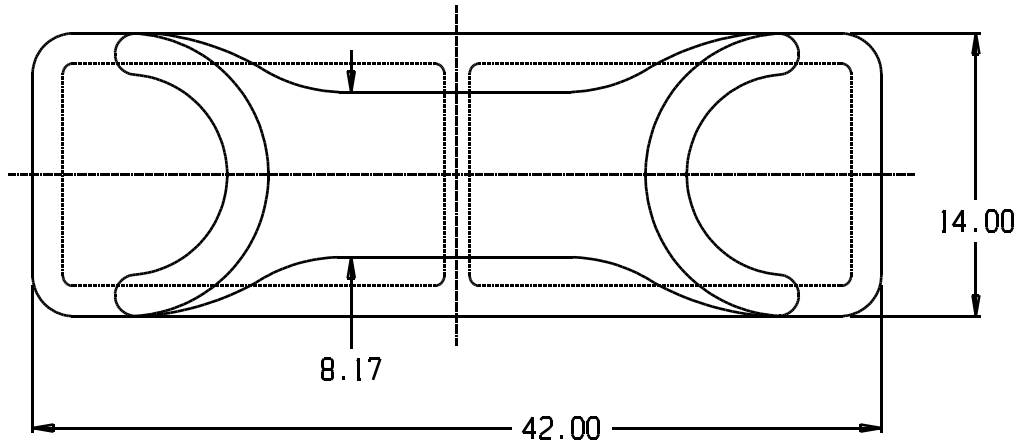
Phone: 714-437-9600
Fax: 714-437-9700

Changing the face of the Earth....

Copyright 2007



Marine Deck Hardware



Subject to change with out notice.
Material: ASTM A27 Cast Steel, all castings.

MODEL #	DESCRIPTION	PART #	WEIGHT
UMC-14	Closed Chock 14"	06241-301A	725 lbs

Visit UMC on the WEB @ [Http://www.umcproducts.com](http://www.umcproducts.com)

2920 Airway Avenue
Costa Mesa, Ca. 92626-6013



Phone: 714-437-9600
Fax: 714-437-9700

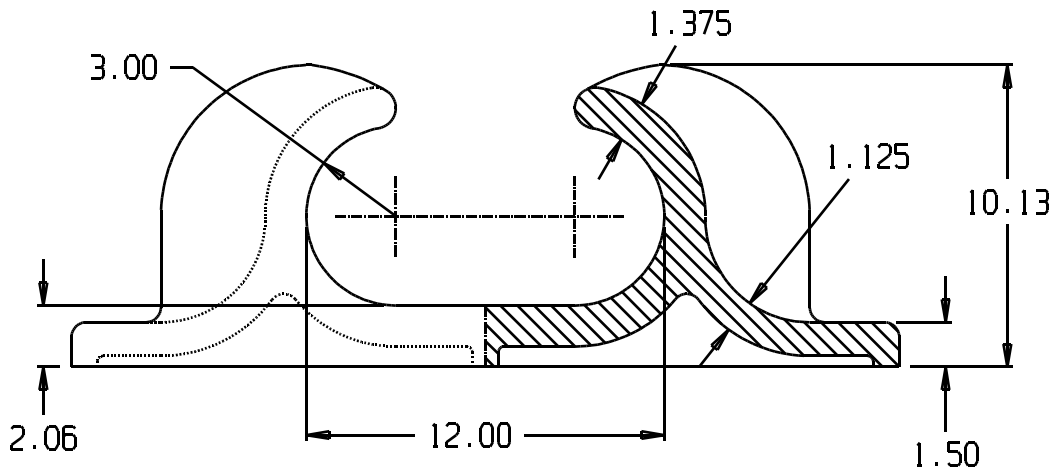
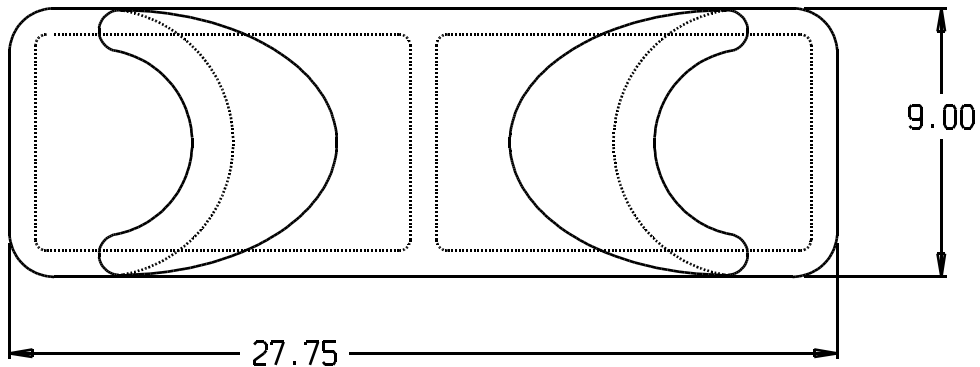
Changing the face of the Earth...

Copyright 2007

Chocks, Eyes & Buttons



Marine Deck Hardware



Subject to change with out notice.
Material: ASTM A27 Cast Steel, all castings.

MODEL #	DESCRIPTION	PART #	WEIGHT
UMC-485	Open Chock 9"	07870-301A	176 lbs

Visit UMC on the WEB @ [Http://www.umcproducts.com](http://www.umcproducts.com)

2920 Airway Avenue
Costa Mesa, Ca. 92626-6013



Phone: 714-437-9600
Fax: 714-437-9700

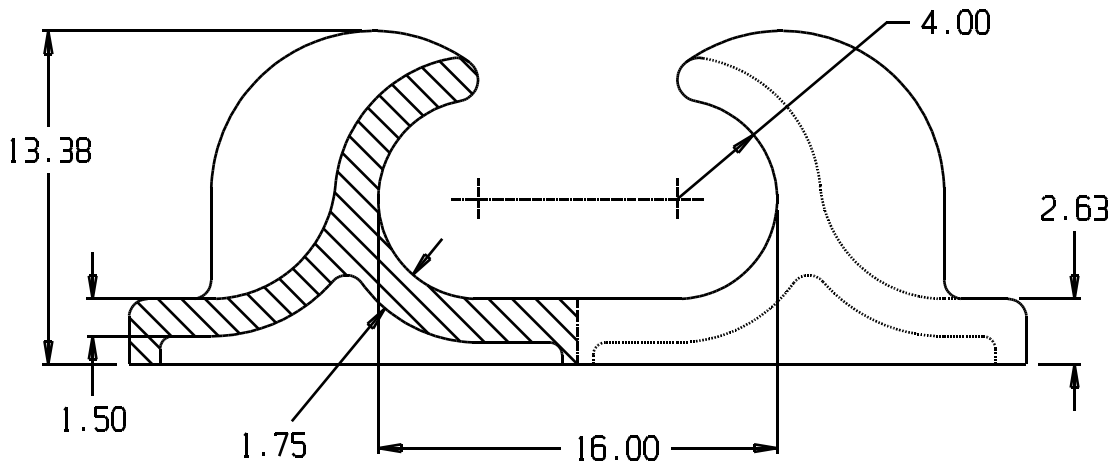
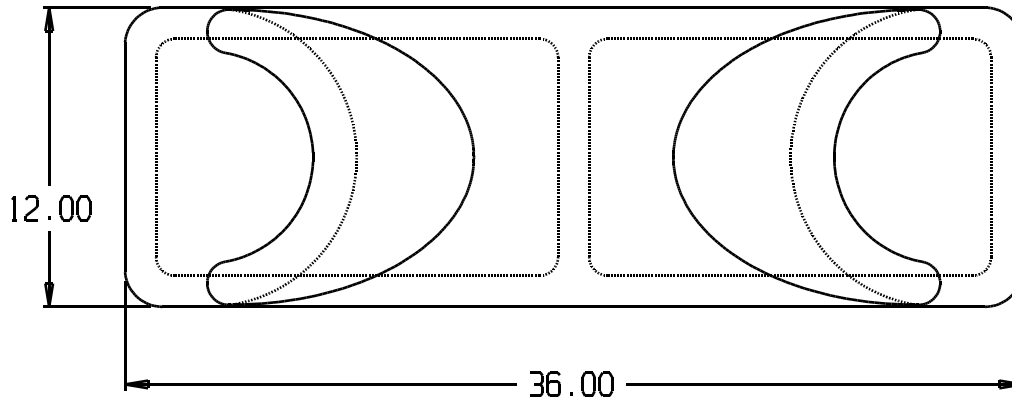
Changing the face of the Earth....

Copyright 2007

Chocks, Eyes
& Buttons



Marine Deck Hardware



Subject to change with out notice.
Material: ASTM A27 Cast Steel, all castings.

MODEL #	DESCRIPTION	PART #	WEIGHT
UMC-489	Open Chock 12"	06242-301A	435 lbs

Visit UMC on the WEB @ [Http://www.umcproducts.com](http://www.umcproducts.com)

2920 Airway Avenue
Costa Mesa, Ca. 92626-6013



Phone: 714-437-9600
Fax: 714-437-9700

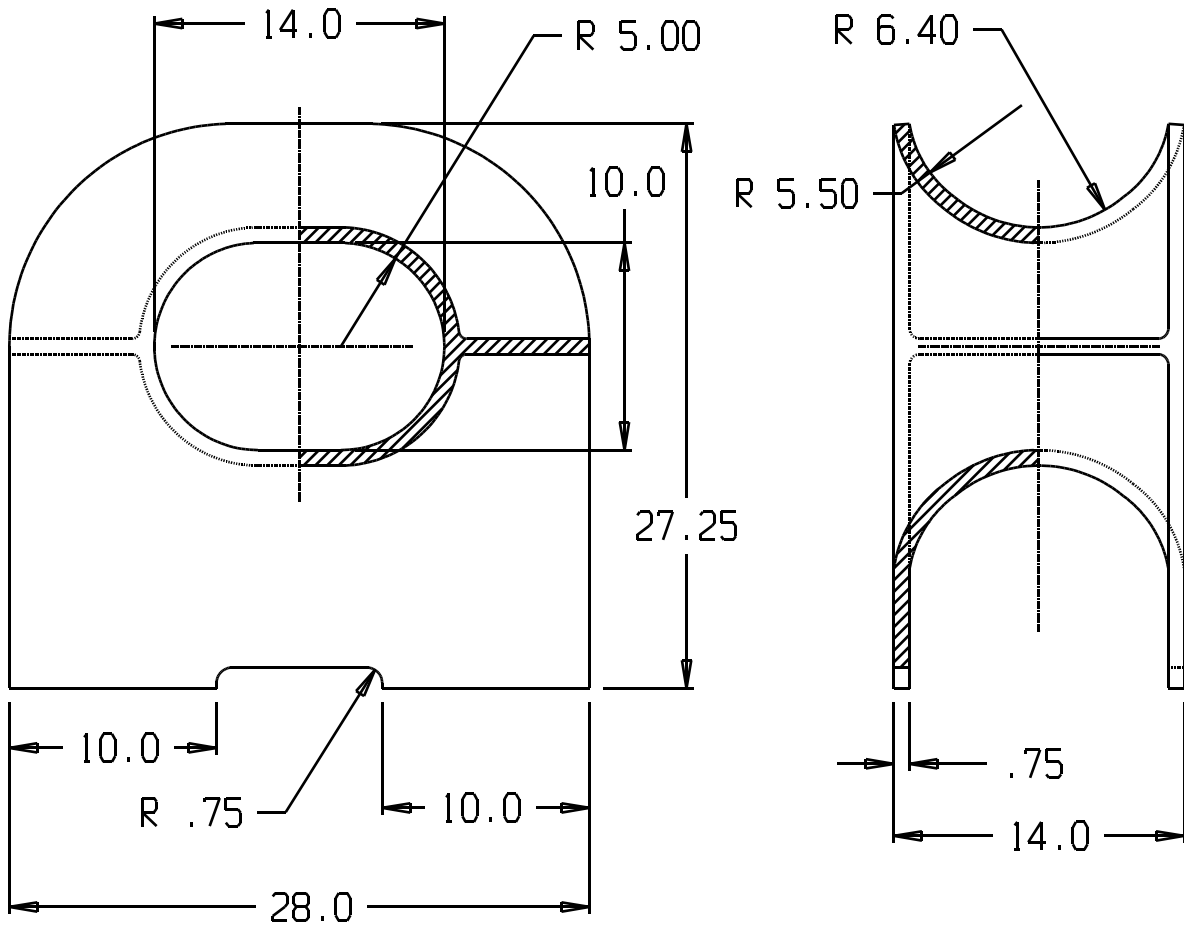
Changing the face of the Earth....

Copyright 2007

Chocks, Eyes
& Buttons



Marine Deck Hardware



Subject to change with out notice.
Material: ASTM A27 Cast Steel, all castings.

MODEL #	DESCRIPTION	PART #	WEIGHT
UMC-1014	Panama Chock 10" X 14"	08370-301A	335 lbs

Visit UMC on the WEB @ [Http://www.umcproducts.com](http://www.umcproducts.com)

2920 Airway Avenue
Costa Mesa, Ca. 92626-6013



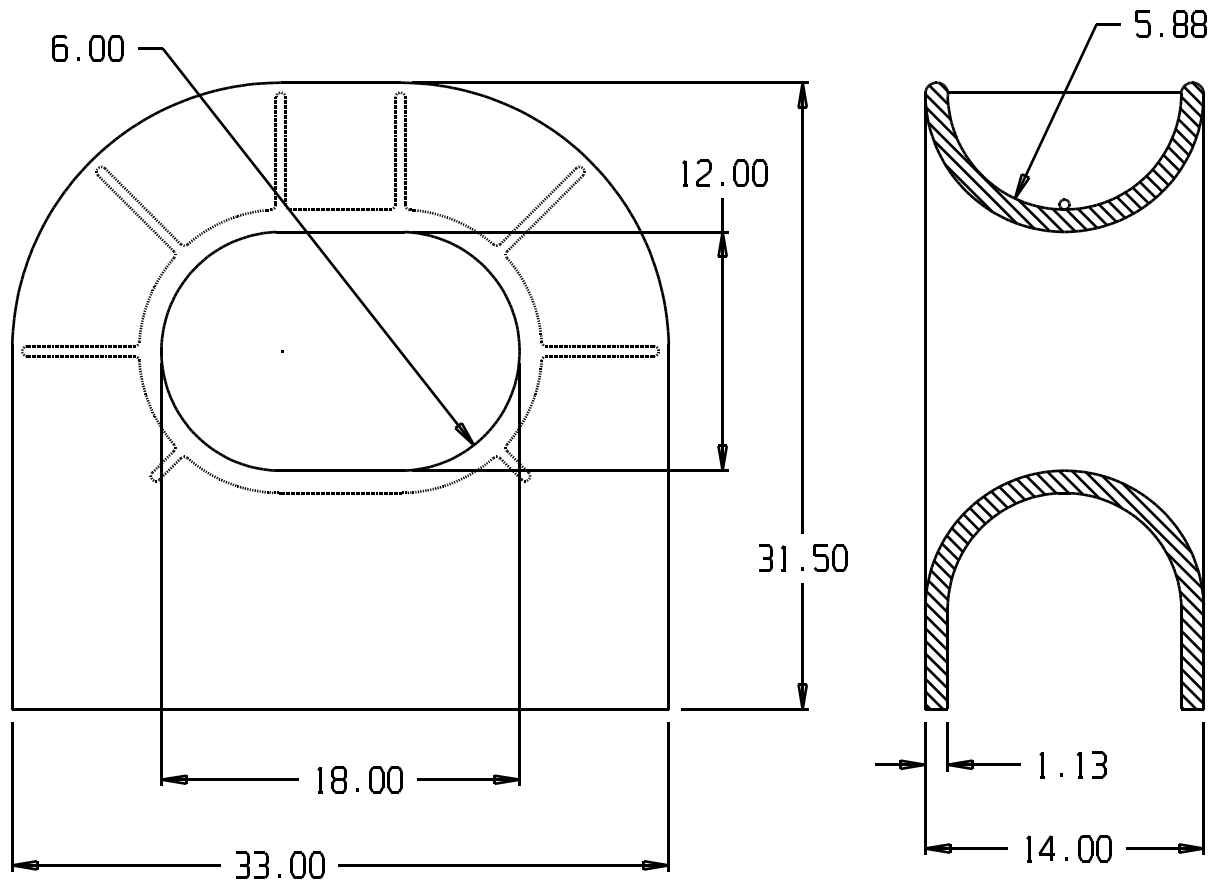
Phone: 714-437-9600
Fax: 714-437-9700

Changing the face of the Earth...

Copyright 2007



Marine Deck Hardware



Subject to change with out notice.
Material: ASTM A27 Cast Steel, all castings.

MODEL #	DESCRIPTION	PART #	WEIGHT
UMC-1218	Panama Chock 12" X 18"	08372-301A	583 lbs

Visit UMC on the WEB @ [Http://www.umcproducts.com](http://www.umcproducts.com)

2920 Airway Avenue
Costa Mesa, Ca. 92626-6013



Phone: 714-437-9600
Fax: 714-437-9700

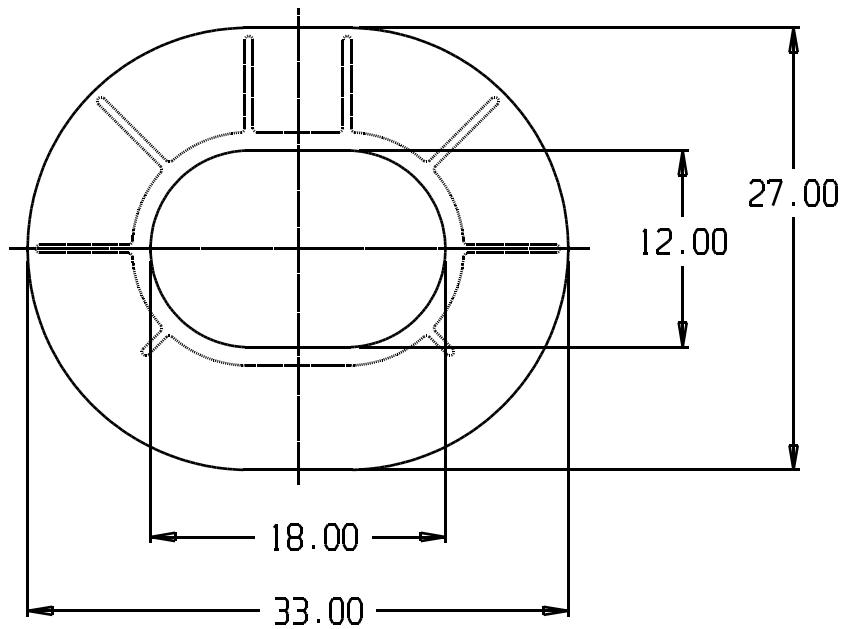
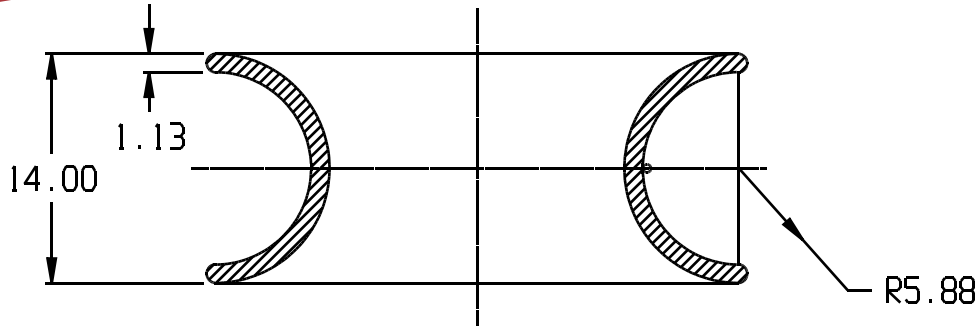
Changing the face of the Earth....

Copyright 2007

Chocks, Eyes
& Buttons



Marine Deck Hardware



Subject to change with out notice.
Material: ASTM A27 Cast Steel, all castings.

MODEL #	DESCRIPTION	PART #	WEIGHT
UMC-1218E	Mooring Eye 12" x 18"	08371-301A	467 lbs

Visit UMC on the WEB @ [Http://www.umcproducts.com](http://www.umcproducts.com)

2920 Airway Avenue
Costa Mesa, Ca. 92626-6013



Phone: 714-437-9600
Fax: 714-437-9700

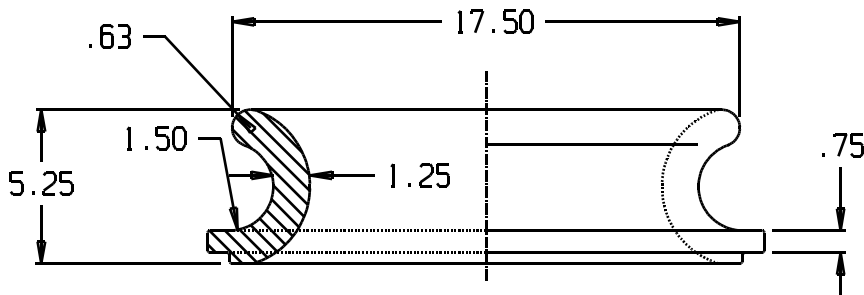
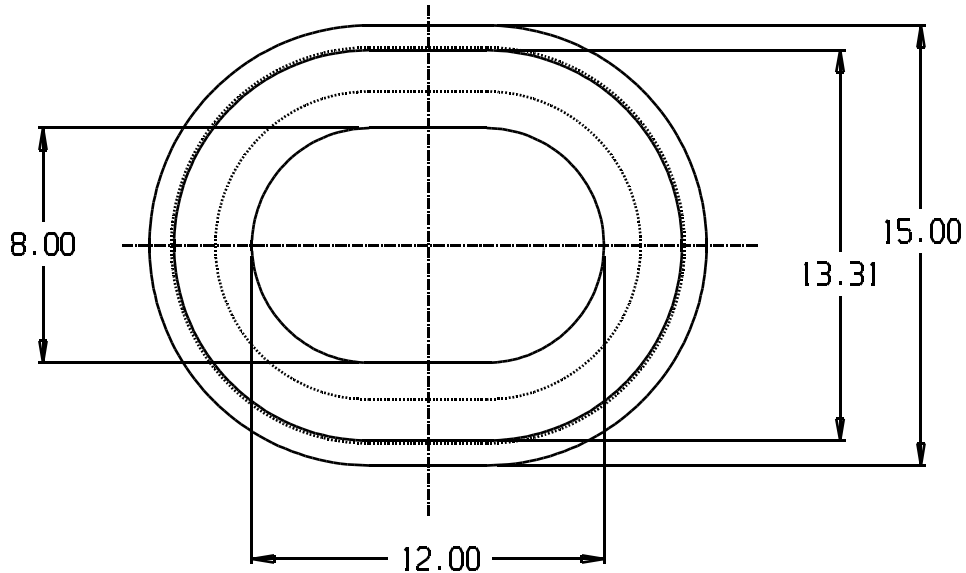
Changing the face of the Earth....

Copyright 2007

Chocks, Eyes
& Buttons



Marine Deck Hardware



Subject to change with out notice.
Material: ASTM A27 Cast Steel, all castings.

MODEL #	DESCRIPTION	PART #	WEIGHT
UMC-M812	Mooring Eye 8" x 12"	08750-301A	102 lbs

Visit UMC on the WEB @ [Http://www.umcproducts.com](http://www.umcproducts.com)

2920 Airway Avenue
Costa Mesa, Ca. 92626-6013



Phone: 714-437-9600
Fax: 714-437-9700

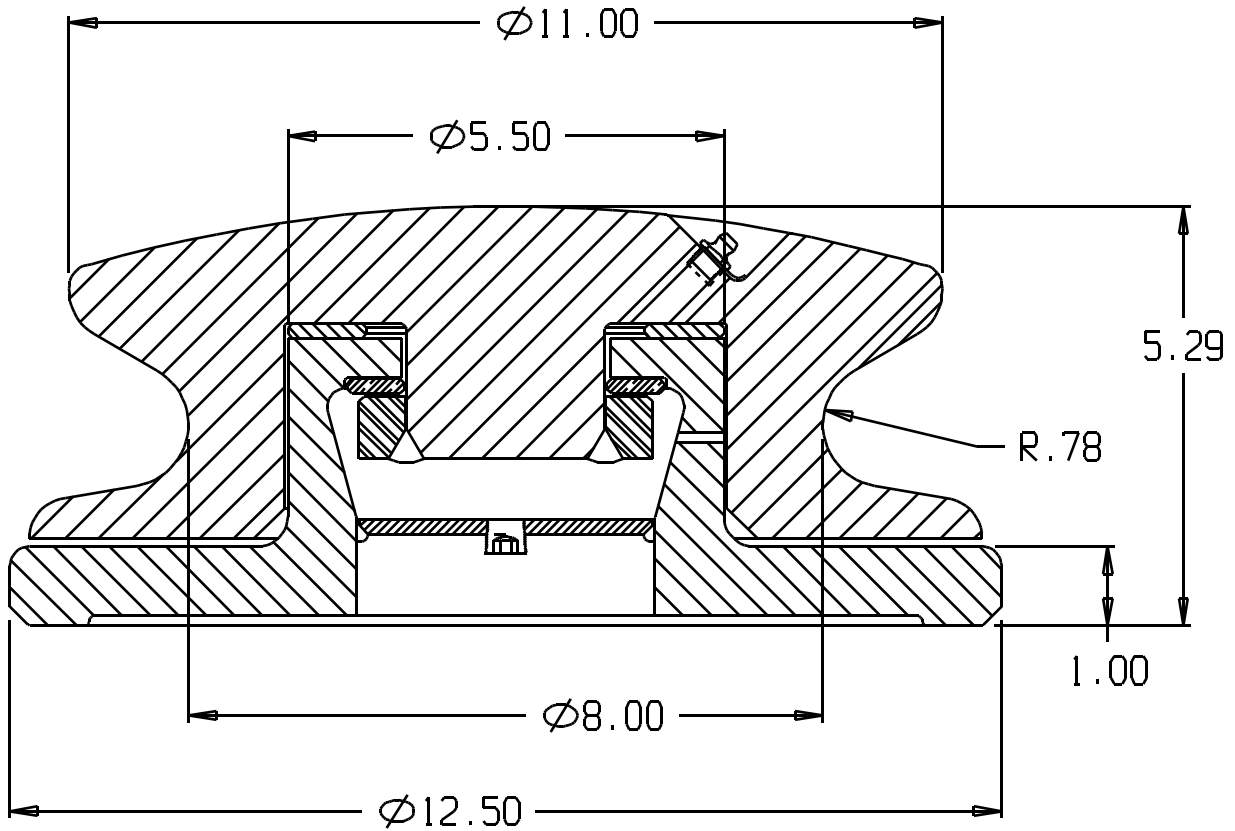
Changing the face of the Earth....

Copyright 2007

Chocks, Eyes
& Buttons



Marine Deck Hardware



Subject to change with out notice.
Material: ASTM A27 Cast Steel, all castings.

MODEL #	DESCRIPTION	PART #	WEIGHT
UMC-50	Roller Button Welded 11"	08670-152A	100 lbs

Visit UMC on the WEB @ [Http://www.umcproducts.com](http://www.umcproducts.com)

2920 Airway Avenue
Costa Mesa, Ca. 92626-6013



Phone: 714-437-9600
Fax: 714-437-9700

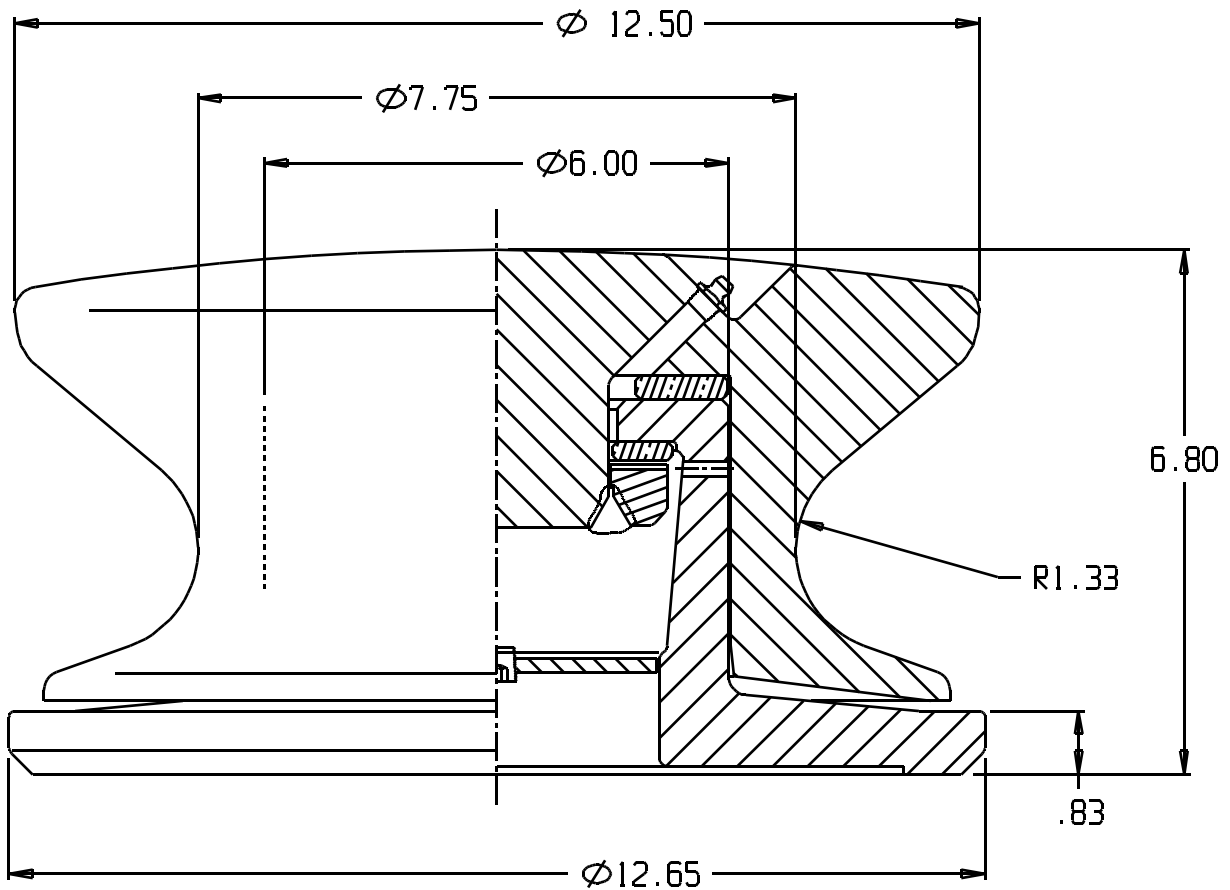
Changing the face of the Earth....

Copyright 2007

Chocks, Eyes & Buttons



Marine Deck Hardware



Subject to change with out notice.
Material: ASTM A27 Cast Steel, all castings.

MODEL # WEIGHT	DESCRIPTION	PART #
UMC-75	Roller Button Welded 12.5"	08671-152A 136

Visit UMC on the WEB @ [Http://www.umcproducts.com](http://www.umcproducts.com)

2920 Airway Avenue
Costa Mesa, Ca. 92626-6013



Phone: 714-437-9600
Fax: 714-437-9700

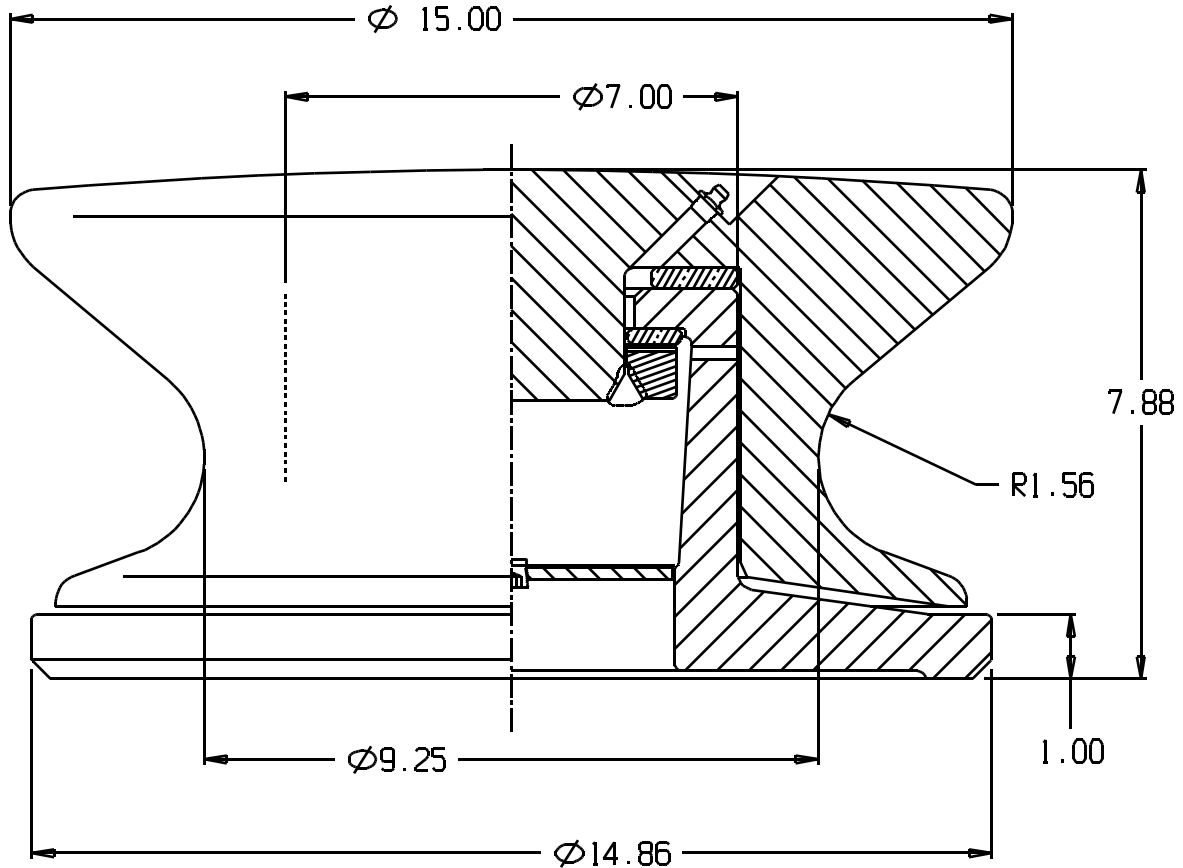
Changing the face of the Earth....

Copyright 2007

Chocks, Eyes & Buttons



Marine Deck Hardware



Subject to change with out notice.
Material: ASTM A27 Cast Steel, all castings.

MODEL #	DESCRIPTION	PART #	WEIGHT
UMC-100	Roller Button Welded 15.5	08672-152A	235 lbs

Visit UMC on the WEB @ [Http://www.umcproducts.com](http://www.umcproducts.com)

2920 Airway Avenue
Costa Mesa, Ca. 92626-6013



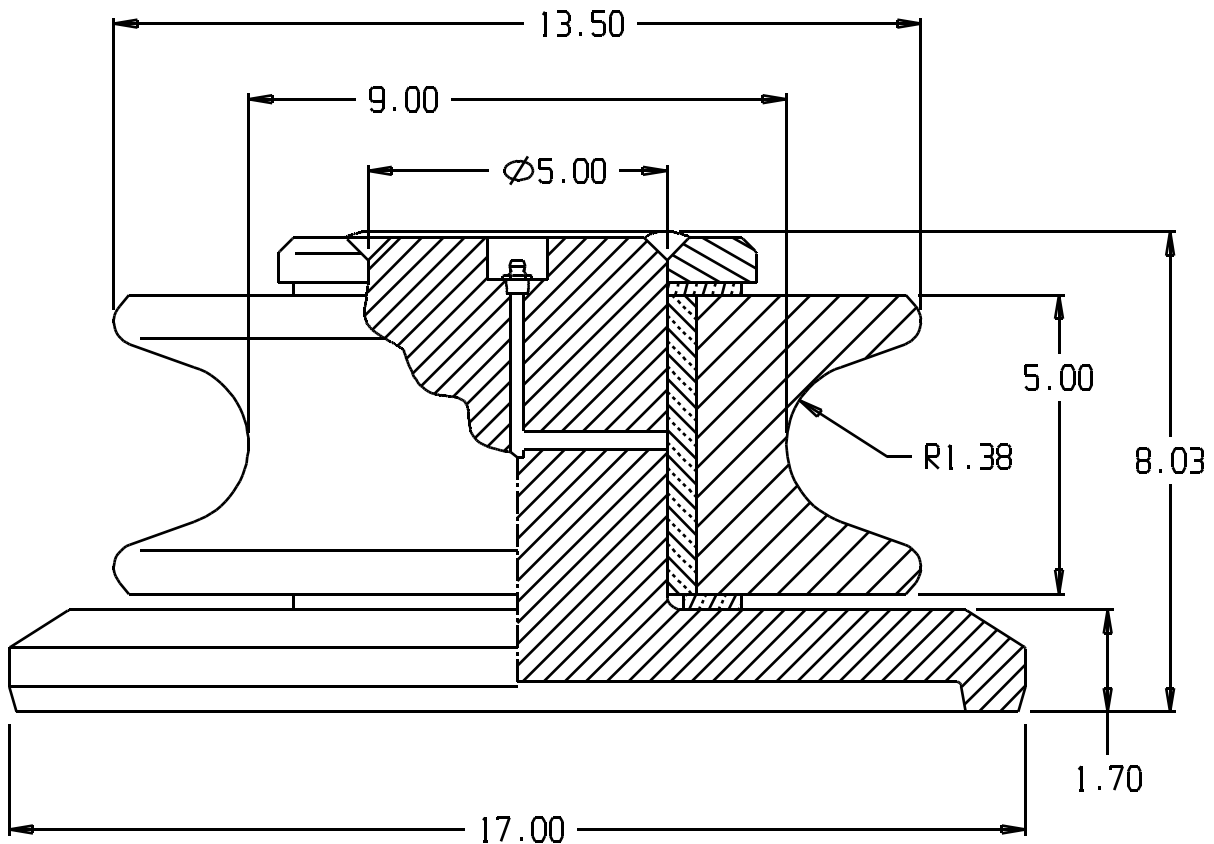
Phone: 714-437-9600
Fax: 714-437-9700

Changing the face of the Earth....

Copyright 2007



Marine Deck Hardware



Subject to change with out notice.
Material: ASTM A27 Cast Steel, all castings.

MODEL #	DESCRIPTION	PART #	WEIGHT
UMC-1048	Roller Button Welded	08674-101A	250 lbs

Visit UMC on the WEB @ [Http://www.umcproducts.com](http://www.umcproducts.com)

2920 Airway Avenue
Costa Mesa, Ca. 92626-6013



Phone: 714-437-9600
Fax: 714-437-9700

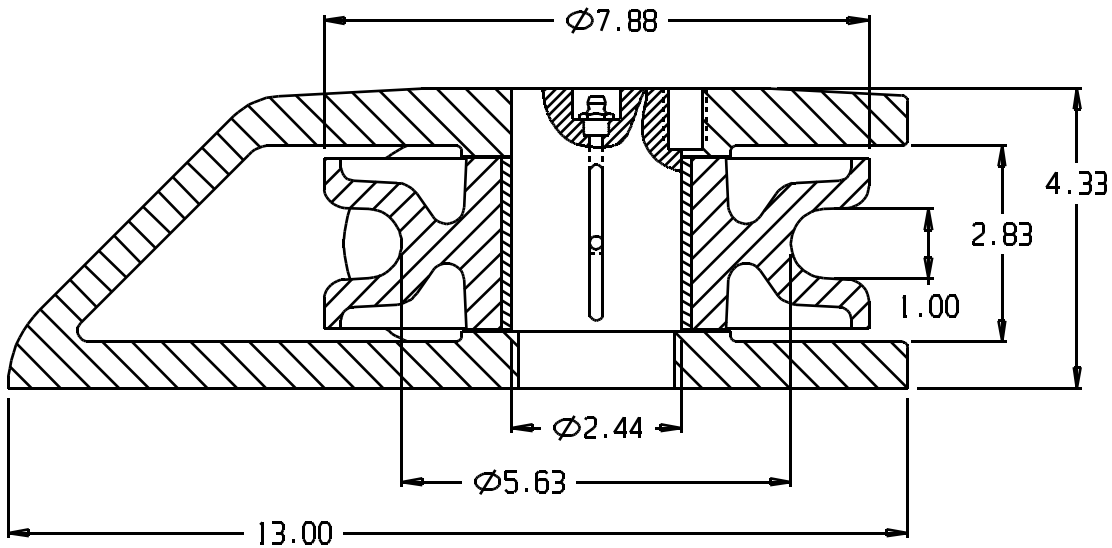
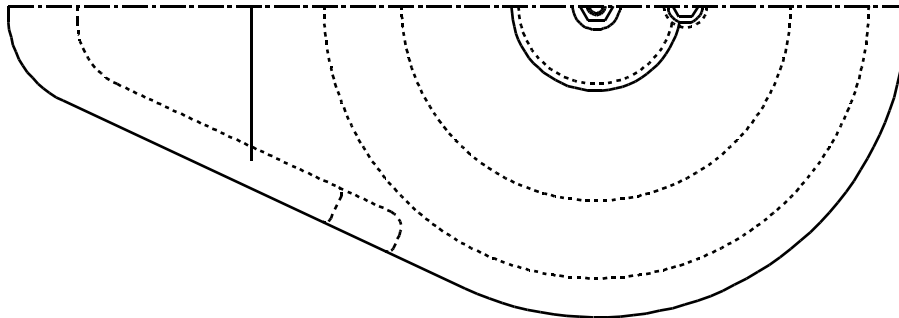
Changing the face of the Earth....

Copyright 2007

Chocks, Eyes
& Buttons



Marine Deck Hardware



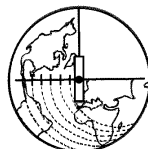
Subject to change with out notice.
Material: ASTM A27 Cast Steel, all castings.

Chocks, Eyes
& Buttons

MODEL #	DESCRIPTION	PART #	WEIGHT
UMC-927	Roller Chock	08830-101A	50 lbs

Visit UMC on the WEB @ [Http://www.umcproducts.com](http://www.umcproducts.com)

2920 Airway Avenue
Costa Mesa, Ca. 92626-6013



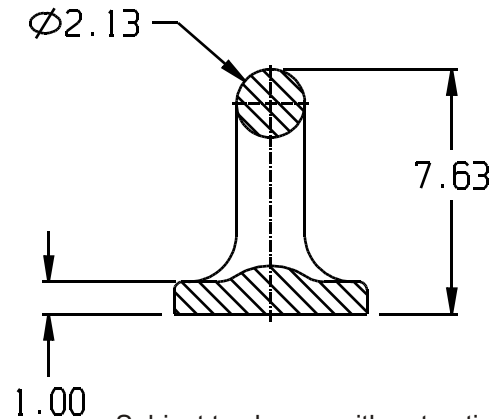
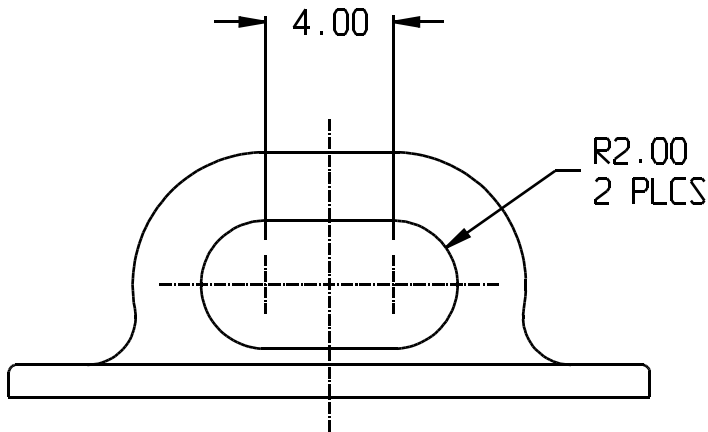
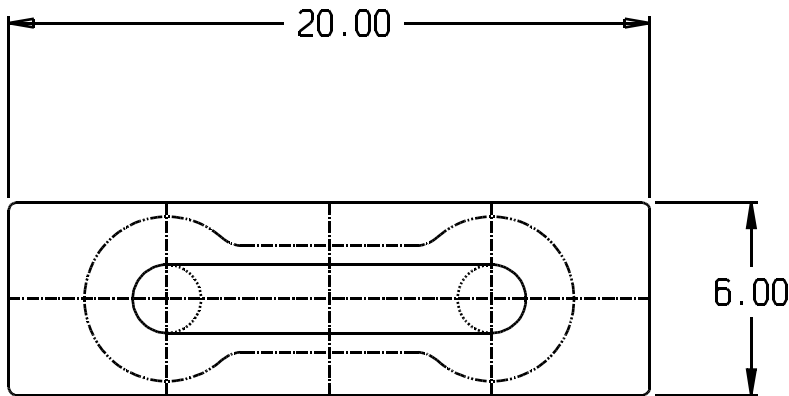
Phone: 714-437-9600
Fax: 714-437-9700

Changing the face of the Earth....

Copyright 2007



Marine Deck Hardware



Subject to change with out notice.
Material: ASTM A27 Cast Steel, all castings.

MODEL #	DESCRIPTION	PART #	WEIGHT
UMC-196	D Ring	01190-301A	60 lbs

Visit UMC on the WEB @ [Http://www.umcproducts.com](http://www.umcproducts.com)

2920 Airway Avenue
Costa Mesa, Ca. 92626-6013



Phone: 714-437-9600
Fax: 714-437-9700

Changing the face of the Earth....

Copyright 2007

Chocks, Eyes & Buttons

Universal Motion Components

4-Dog Water Tight Doors

Model #	Description	Part #	L/R	Dimensions		Weight	Page
				"B"	"A"		
UMC-WTD-4D 26x54-R	4-Dog Door 26" x 54" Right Hand	06111-101A	RH	26	54	200 lbs	Page 74
UMC-WTD-4D 26x54-L	4-Dog Door 26" x 54" Left Hand	06111-101B	LH	26	54	200 lbs	Page 74
UMC-WTD-4D 26x60-R	4-Dog Door 26" x 60" Right Hand	06111-101C	RH	26	60	220 lbs	Page 74
UMC-WTD-4D 26x60-L	4-Dog Door 26" x 60" Left Hand	06111-101D	LH	26	60	220 lbs	Page 74
UMC-WTD-4D 30x60-R	4-Dog Door 30" x 60" Right Hand	06111-101E	RH	30	60	250 lbs	Page 74
UMC-WTD-4D 30x60-L	4-Dog Door 30" x 60" Left Hand	06111-101F	LH	30	60	250 lbs	Page 74

6-Dog Water Tight Doors

Model #	Description	Part #	L/R	Dimensions		Weight	Page
				"B"	"A"		
UMC-WTD-6D 26x60-R	6-Dog Door 26" x 60" Right Hand	06121-101C	RH	26	60	270 lbs	Page 76
UMC-WTD-6D 26x60-L	6-Dog Door 26" x 60" Left Hand	06121-101D	LH	26	60	270 lbs	Page 76
UMC-WTD-6D 30x60-R	6-Dog Door 30" x 60" Right Hand	06121-101E	RH	30	60	300 lbs	Page 76
UMC-WTD-6D 30x60-L	6-Dog Door 30" x 60" Left Hand	06121-101F	LH	30	60	300 lbs	Page 76
UMC-WTD-6D 30x66-R	6-Dog Door 30" x 66" Right Hand	06121-101G	RH	30	66	330 lbs	Page 76
UMC-WTD-6D 30x66-L	6-Dog Door 30" x 66" Left Hand	06121-101H	LH	30	66	330 lbs	Page 76
UMC-WTD-6D 30x72-R	6-Dog Door 30" x 72" Right Hand	06121-101I	RH	30	72	350 lbs	Page 76
UMC-WTD-6D 30x72-L	6-Dog Door 30" x 72" Left Hand	06121-101J	LH	30	72	350 lbs	Page 76

DOORS

Universal Motion Components

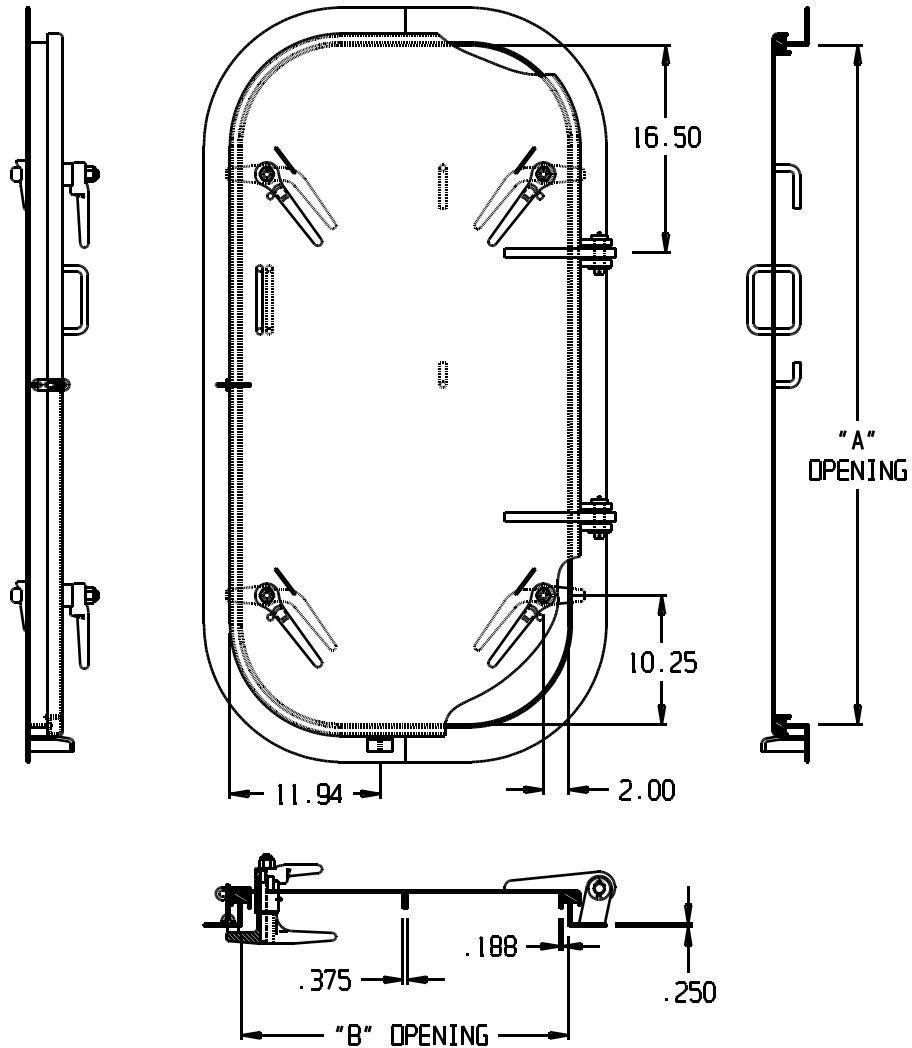
Quick Acting Water Tight Doors			Dimensions				
Model #	Description	Part #	L/R	"B"	"A"	Weight	Page #
UMC-WTD-QA 26x60-R	Quick Acting Door Right Hand 26" x 60"	06122-101C	RH	26	60	320 lbs	Page #
UMC-WTD-QA 26x60-L	Quick Acting Door Left Hand 26" x 60"	06122-101D	LH	26	60	320 lbs	Page #
UMC-WTD-QA 30x60-R	Quick Acting Door Right Hand 30" x 60"	06122-101E	RH	30	60	350 lbs	Page #
UMC-WTD-QA 30x60-L	Quick Acting Door Left Hand 30" x 60"	06122-101F	LH	30	60	350 lbs	Page #
UMC-WTD-QA 30x66-R	Quick Acting Door Right Hand 30" x 66"	06122-101G	RH	30	66	385 lbs	Page #
UMC-WTD-QA 30x66-L	Quick Acting Door Left Hand 30" x 66"	06122-101H	LH	30	66	385 lbs	Page #
UMC-WTD-QA 30x72-R	Quick Acting Door Right Hand 30" x 72"	06122-101I	RH	30	72	410 lbs	Page #
UMC-WTD-QA 30x72-L	Quick Acting Door Left Hand 30" x 72"	06122-101J	LH	30	72	410 lbs	Page #

Handles

Model #	Description	Part #	Weight	Page #
UMC-DHR-S	Door Handle, Steel RH	08340-101A	6 lbs	Page #
UMC-DHL-S	Door Handle, Steel LH	08340-101B	6 lbs	Page #
UMC-DHR-A	Door Handle, Aluminum RH	08340-105A	2.2 lbs	Page #
UMC-DHL-A	Door Handle, Aluminum LH	08340-105B	2.2 lbs	Page #



Marine Deck Hardware



Subject to change with out notice.

MODEL #	DESCRIPTION	PART #	WEIGHT
UMC-WTD-4D	4-Dog Watertight Doors	06111-101*	Various
See 4-Dog Door Chart for sizes			

Visit UMC on the WEB @ [Http://www.umcproducts.com](http://www.umcproducts.com)

2920 Airway Avenue
Costa Mesa, Ca. 92626-6013



Phone: 714-437-9600
Fax: 714-437-9700

Changing the face of the Earth...

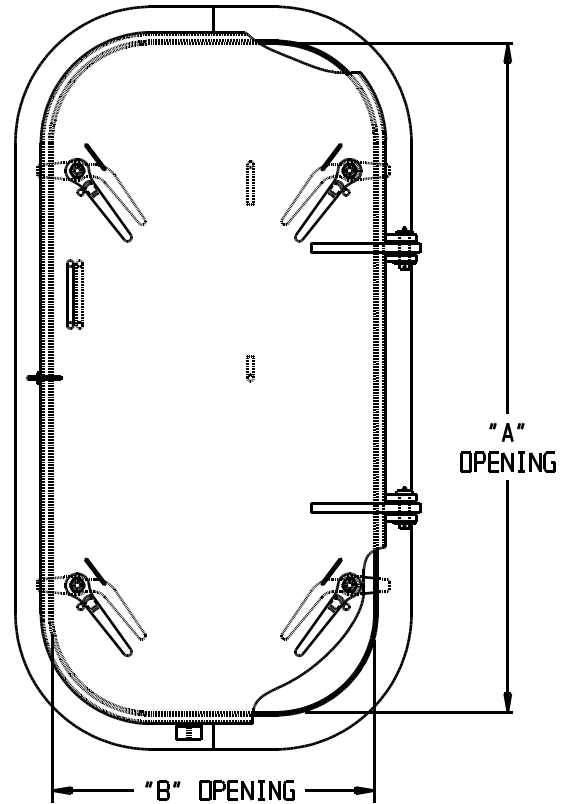
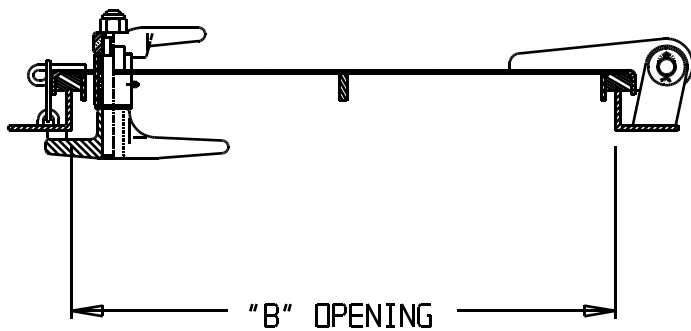
Copyright 2007

DOORS



Marine Deck Hardware

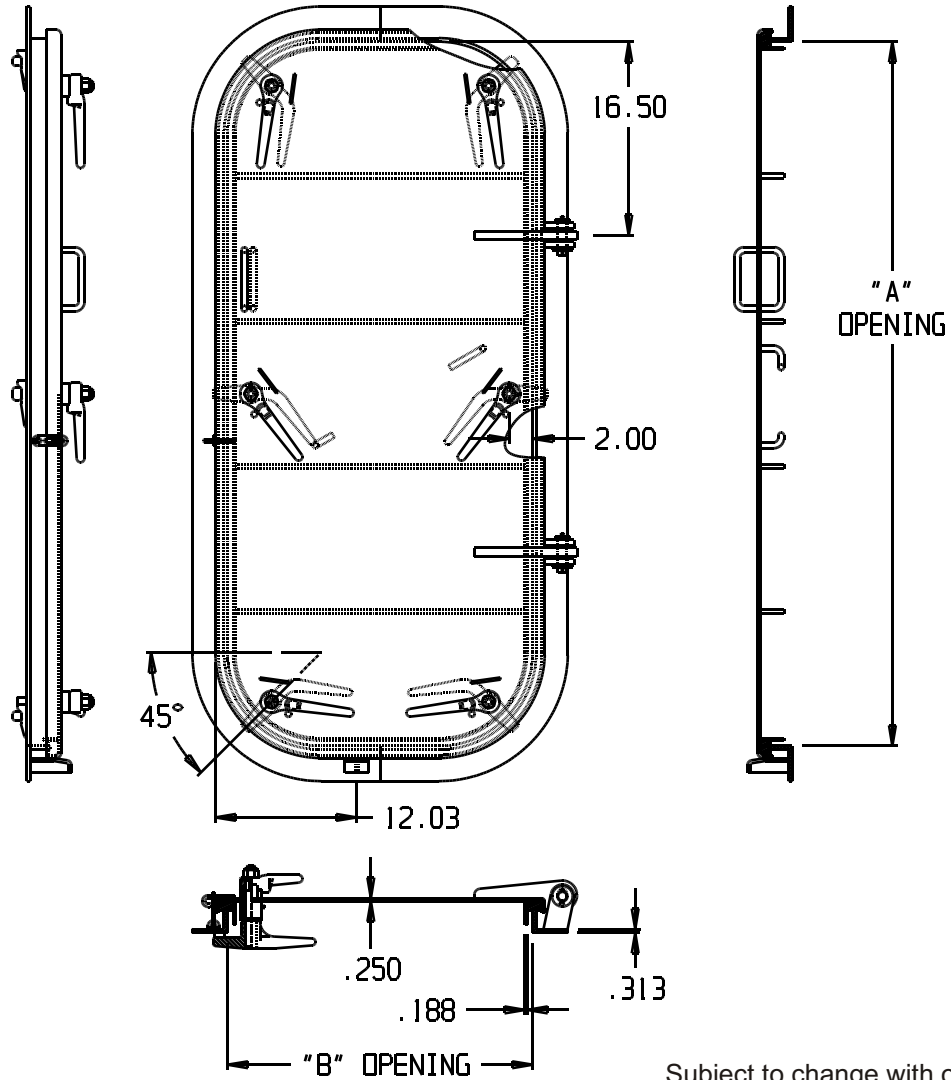
4-DOG DOOR SIZE CHART



MODEL #	DESCRIPTION	PART #	WEIGHT	DIMENSIONS
UMC-WTD-4D 26x54-R	4-Dog Door 26" x 54" Right Hand	06111-101A	200 lbs	RH 26" 54"
UMC-WTD-4D 26x54-L	4-Dog Door 26" x 54" Left Hand	06111-101B	200 lbs	LH 26" 54"
UMC-WTD-4D 26x60-R	4-Dog Door 26" x 60" Right Hand	06111-101C	220 lbs	RH 26" 60"
UMC-WTD-4D 26x60-L	4-Dog Door 26" x 60" Left Hand	06111-101D	220 lbs	LH 26" 60"
UMC-WTD-4D 30x60-R	4-Dog Door 30" x 60" Right Hand	06111-101E	250 lbs	RH 30" 60"
UMC-WTD-4D 30x60-L	4-Dog Door 30" x 60" Left Hand	06111-101F	250 lbs	LH 30" 60"



Marine Deck Hardware



Subject to change with out notice.

MODEL #	DESCRIPTION	PART #	WEIGHT
UMC-WTD-6D	6-Dog Watertight Door	06121-101*	Various
See 6-Dog Door Chart for sizes			

Visit UMC on the WEB @ [Http://www.umcproducts.com](http://www.umcproducts.com)

2920 Airway Avenue
Costa Mesa, Ca. 92626-6013



Phone: 714-437-9600
Fax: 714-437-9700

Changing the face of the Earth....

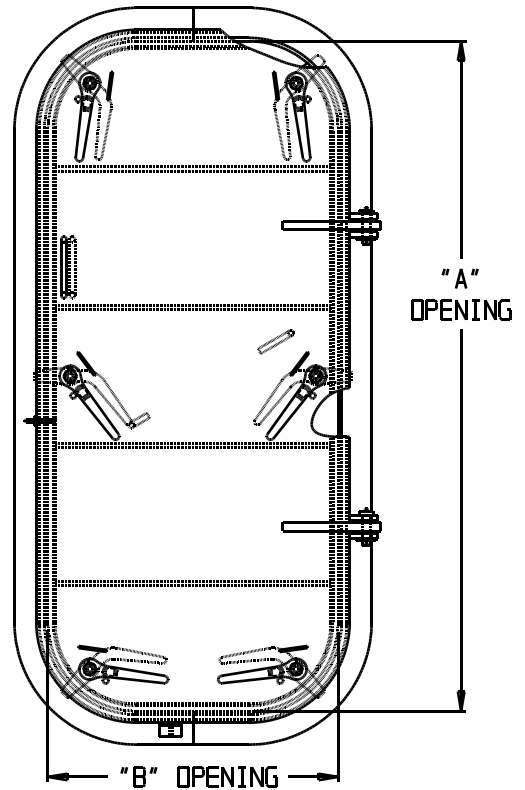
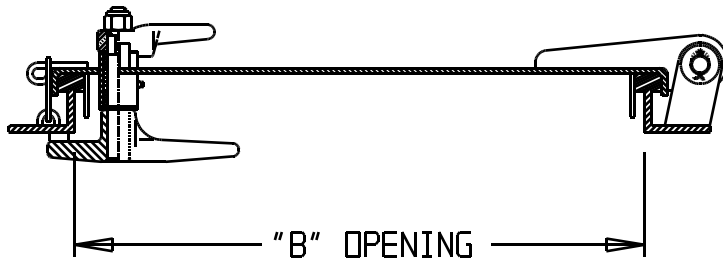
Copyright 2007

Doors



Marine Deck Hardware

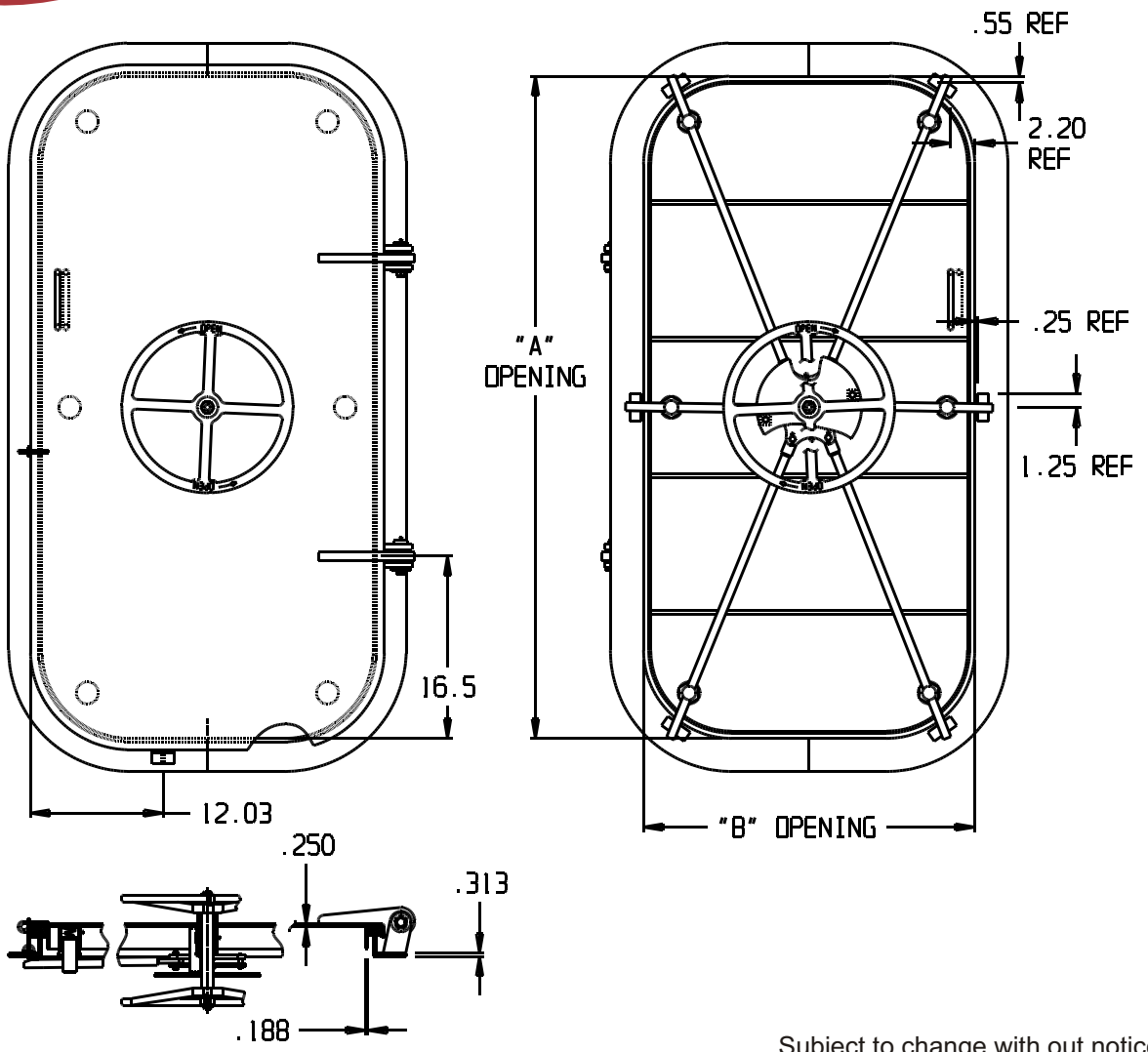
6-DOG DOOR SIZE CHART



MODEL #	DESCRIPTION	PART #	WEIGHT	DIMENSIONS	"A" "B"	
					"A"	"B"
UMC-WTD-6D 26x60-R	6-Dog Door 26" x 60" Right Hand	06121-101C	270 lbs	RH	26"	60"
UMC-WTD-6D 26x60-L	6-Dog Door 26" x 60" Left Hand	06121-101D	270 lbs	LH	26"	60"
UMC-WTD-6D 30x60-R	6-Dog Door 30" x 60" Right Hand	06121-101E	300 lbs	RH	30"	60"
UMC-WTD-6D 30x60-L	6-Dog Door 30" x 60" Left Hand	06121-101F	300 lbs	LH	30"	60"
UMC-WTD-6D 30x66-R	6-Dog Door 30" x 66" Right Hand	06121-101G	330 lbs	RH	30"	66"
UMC-WTD-6D 30x66-L	6-Dog Door 30" x 66" Left Hand	06121-101H	330 lbs	LH	30"	66"
UMC-WTD-6D 30x72-R	6-Dog Door 30" x 72" Right Hand	06121-101I	350 lbs	RH	30"	72"
UMC-WTD-6D 30x72-L	6-Dog Door 30" x 72" Left Hand	06121-101J	350 lbs	LH	30"	72"



Marine Deck Hardware



Subject to change with out notice.

MODEL #	DESCRIPTION	PART #	WEIGHT
UMC-WTD-QA	Quick Acting Watertight Door	06122-101*	Various
See Quick Acting Door Chart for sizes			

Visit UMC on the WEB @ [Http://www.umcproducts.com](http://www.umcproducts.com)

2920 Airway Avenue
Costa Mesa, Ca. 92626-6013



Phone: 714-437-9600
Fax: 714-437-9700

Changing the face of the Earth...

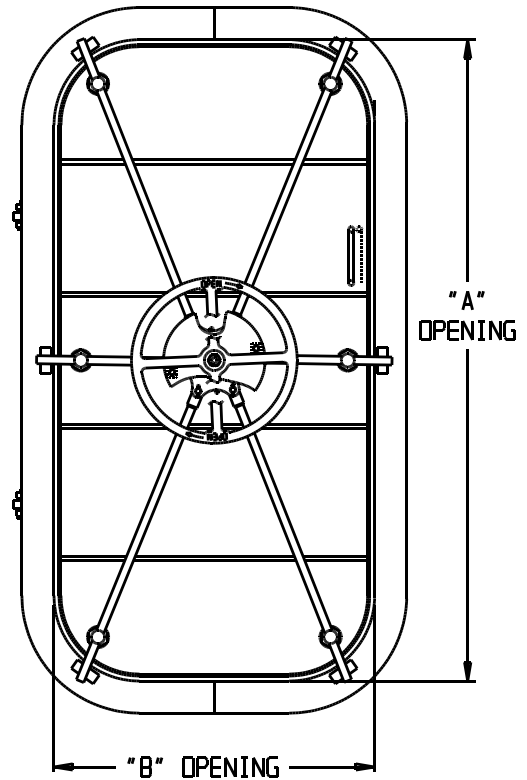
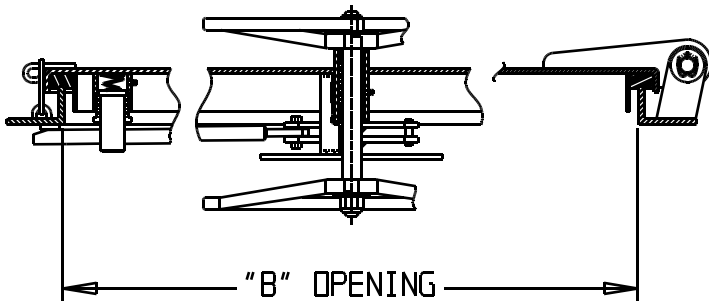
Copyright 2007

Doors



Marine Deck Hardware

QUICK ACTING DOOR SIZE CHART

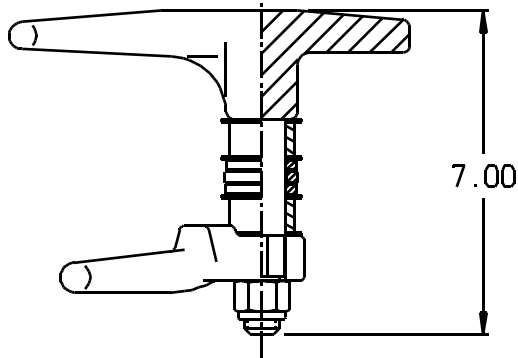


MODEL #	DESCRIPTION	PART #	WEIGHT	DIMENSIONS	"A" "B"	
					"A"	"B"
UMC-WTD-QA 26x60-R	Quick Acting Door Right Hand 26" x 60"	06122-101C	320 lbs	RH	26"	60"
UMC-WTD-QA 26x60-L	Quick Acting Door Left Hand 26" x 60"	06122-101D	320 lbs	LH	26"	60"
UMC-WTD-QA 30x60-R	Quick Acting Door Right Hand 30" x 60"	06122-101E	350 lbs	RH	30"	60"
UMC-WTD-QA 30x60-L	Quick Acting Door Left Hand 30" x 60"	06122-101F	350lbs	LH	30"	60"
UMC-WTD-QA 30x66-R	Quick Acting Door Right Hand 30" x 66"	06122-101G	385 lbs	RH	30"	66"
UMC-WTD-QA 30x66-L	Quick Acting Door Left Hand 30" x 66"	06122-101H	385 lbs	LH	30"	66"
UMC-WTD-QA 30x72-R	Quick Acting Door Right Hand 30" x 72"	06122-101I	410 lbs	RH	30"	72"
UMC-WTD-QA 30x72-L	Quick Acting Door Left Hand 30" x 72"	06122-101J	410 lbs	LH	30"	72"

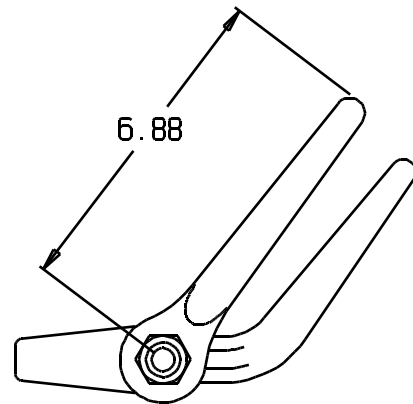
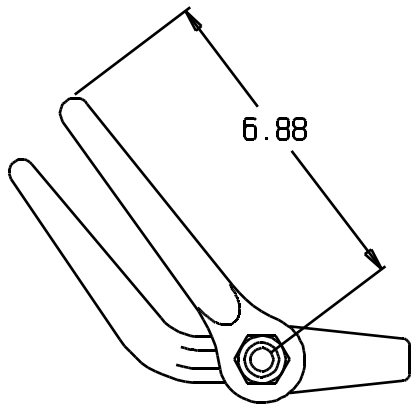
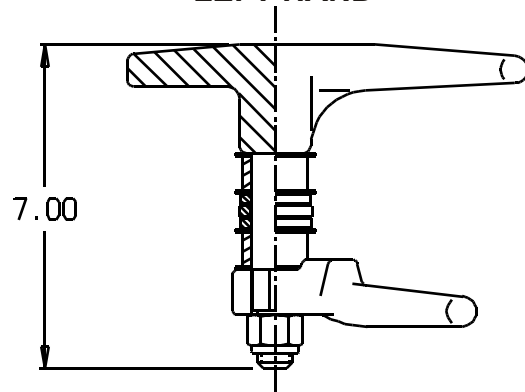


Marine Deck Hardware

RIGHT HAND



LEFT HAND



Subject to change with out notice.

MODEL #	DESCRIPTION	PART #	WEIGHT
UMC-DHR-S	Handle Assy, Door Steel Right Hand	08340-101A	6 lbs
UMC-DHL-S	Handle Assy, Door Steel Left Hand	08340-101B	6 lbs

Visit UMC on the WEB @ [Http://www.umcproducts.com](http://www.umcproducts.com)

2920 Airway Avenue
Costa Mesa, Ca. 92626-6013



Phone: 714-437-9600
Fax: 714-437-9700

Changing the face of the Earth....

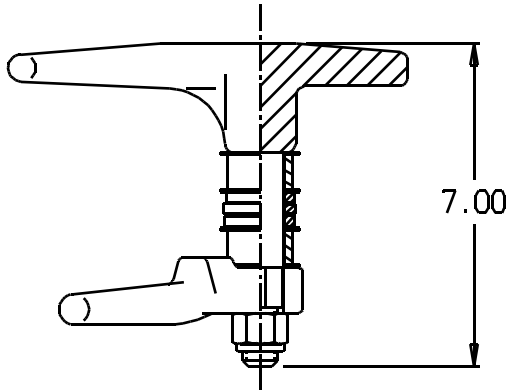
Copyright 2007

Doors

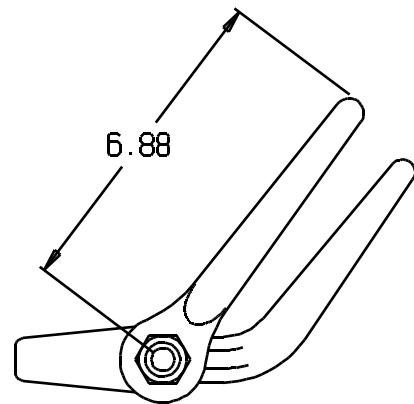
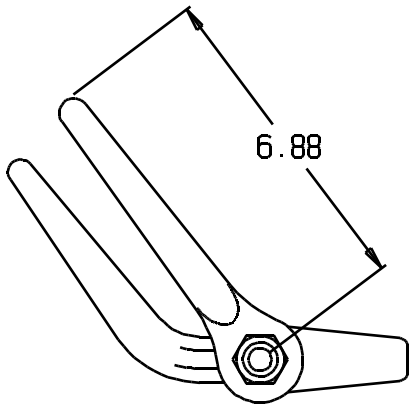
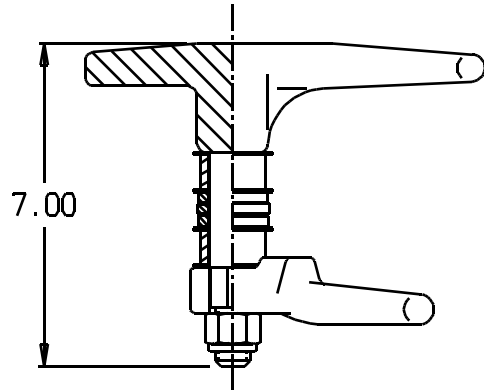


Marine Deck Hardware

RIGHT HAND



LEFT HAND



Subject to change with out notice.

MODEL #	DESCRIPTION	PART #	WEIGHT
UMC-DHR-A	Handle Assy, Door Aluminum Right Hand	08340-105A	2.2 lbs
UMC-DHL-A	Handle Assy, Door Aluminum Left Hand	08340-105B	2.2 lbs

Visit UMC on the WEB @ [Http://www.umcproducts.com](http://www.umcproducts.com)

2920 Airway Avenue
Costa Mesa, Ca. 92626-6013



Phone: 714-437-9600
Fax: 714-437-9700

Changing the face of the Earth....

Copyright 2007

Doors

Universal Motion Components

Commercial Marine Hardware

Hatches



Kevels

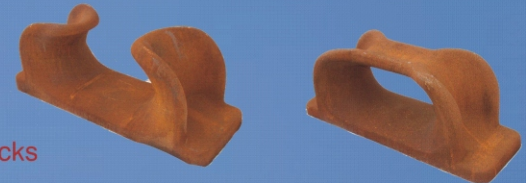


Roller Buttons



Buttons

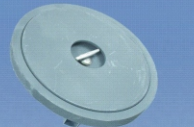
Chocks



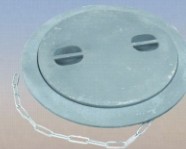
Double Bitt



Single Bitt



Manholes

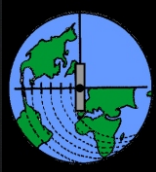


Water Tight Doors



www.umcproducts.com

UNIVERSAL MOTION COMPONENTS, Co. Inc.



2920 Airway Ave. Costa Mesa, Ca. 92628-2178
Phone: (714) 437-9600 Fax: (714) 437-9700
E-mail: sales@umcproducts.com Web: <http://www.umcproducts.com>